



YOSHIMURA

RESEARCH&DEVELOPMENT OF AMERICA, INC.

5420 DANIELS STREET STE A, CHINO CA. 91710 · (800)634-9166 · (909)628-4722 · FACSIMILE (909)591-2198

www.yoshimura-rd.com

YOSHIMURA PERFORMANCE EXHAUST SYSTEM

**2008-2012
KAWASAKI
NINJA 250**

1407272	STAINLESS STEEL SLIP-ON SYSTEM WITH CARBON FIBER SLEEVE
1407275	STAINLESS STEEL SLIP-ON SYSTEM WITH STAINLESS STEEL SLEEVE
1407277	STAINLESS STEEL SLIP-ON SYSTEM WITH TITANIUM SLEEVE



THIS PRODUCT IS DESIGNED FOR USE IN CLOSED COURSE RACING AND IS NOT INTENDED FOR HIGHWAY USE.



NOTE: IN THE STATE OF CALIFORNIA, IT IS ILLEGAL TO MODIFY THE EMISSION CONTROL SYSTEM. WHICH INCLUDES THE CARBURETORS OF ANY VEHICLE.

Caution: Exhaust system can be extremely hot. Let motorcycle cool down before beginning installation.

Note: Read through all instructions before beginning installation.

Tools Needed:

Metric Socket Set
Allen Socket Set
3/8" Ratchet and Extension
Metric Combination Wrench Set
Torque Wrench
Power Drill
13/64" Drill Bit

Installation Steps:

1. Remove the stock heatshield (see Fig. 1 for stock heatshield fastener locations).
2. Loosen the stock exhaust clamp (see Fig. 2).
3. Remove the stock muffler mount bolt and remove the stock muffler (see Fig. 1 for stock muffler mount bolt location).
4. Install the rubber heat insulator onto the inside of the muffler clamp and slide the muffler clamp onto the muffler.
5. Slide the supplied exhaust clamp over the Yoshimura tailpipe inlet and install the Yoshimura muffler and tailpipe onto the stock header (see Fig. 3). The heatshield bracket on the clamp will face out and the clamp will be tightened from the bottom.
6. Mount the Yoshimura slip-on system to the outside of the stock passenger footrest using the stock hardware. The large stock chrome washer moves from the outside of the passenger footrest to the inside of the passenger footrest (see Fig. 4).
7. Standing at the back of the motorcycle, check for proper alignment of the muffler. Adjust if necessary.

NOTE: To adjust fitment, it may be necessary to rotate the tailpipe or the muffler independently until proper alignment of the muffler is achieved. You will be installing a securing rivet into the tailpipe to prevent the tailpipe from rotating while the motorcycle is in operation. Do not drill until correct muffler alignment is achieved.

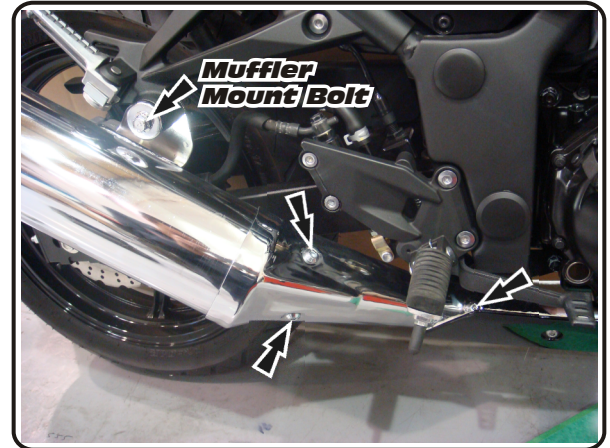


Fig. 1

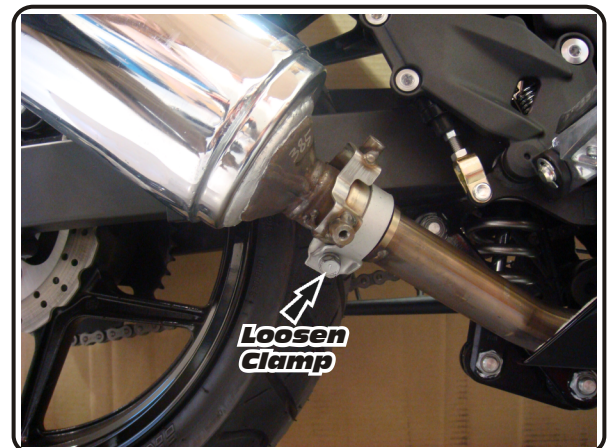


Fig. 2



Fig. 3

8. Torque the muffler mounting bolt to 2.5 kgf-m (18 lb-ft).
9. Near the inlet of the Yoshimura tailpipe is a hole. Drill a 13/64" hole in the stock header, using the securing rivet hole in the Yoshimura tailpipe as a guide.

CAUTION: Always wear eye protection when using any power tools.

10. Install the supplied securing rivet so the head of the securing rivet is flush on the tailpipe.
11. Slide the exhaust clamp over the securing rivet.
12. Install the Yoshimura heatshield onto the Yoshimura tailpipe using the supplied heatshield bolts. You may need to rotate the exhaust clamp until the heatshield bracket on the exhaust clamp lines up correctly with the holes in the Yoshimura heatshield. Line up the heatshield so that there is a uniform gap between the muffler and the heatshield.
13. Torque the exhaust clamp to 1.25 kgf-m (9.0 lb-ft).
14. It is recommended that the entire exhaust system be wiped down with rubbing alcohol to remove oil and fingerprints. This will help prevent tarnishing of the finish after the exhaust is heated up.
15. Before starting motorcycle, check for proper clearance between new exhaust system and motorcycle (i.e. swing-arm, fairings etc.). If any problem is found, please carefully follow through the installation steps again. If problem still persists, please call Yoshimura technical department at (800) 634-9166/ in CA (909) 628-4722.

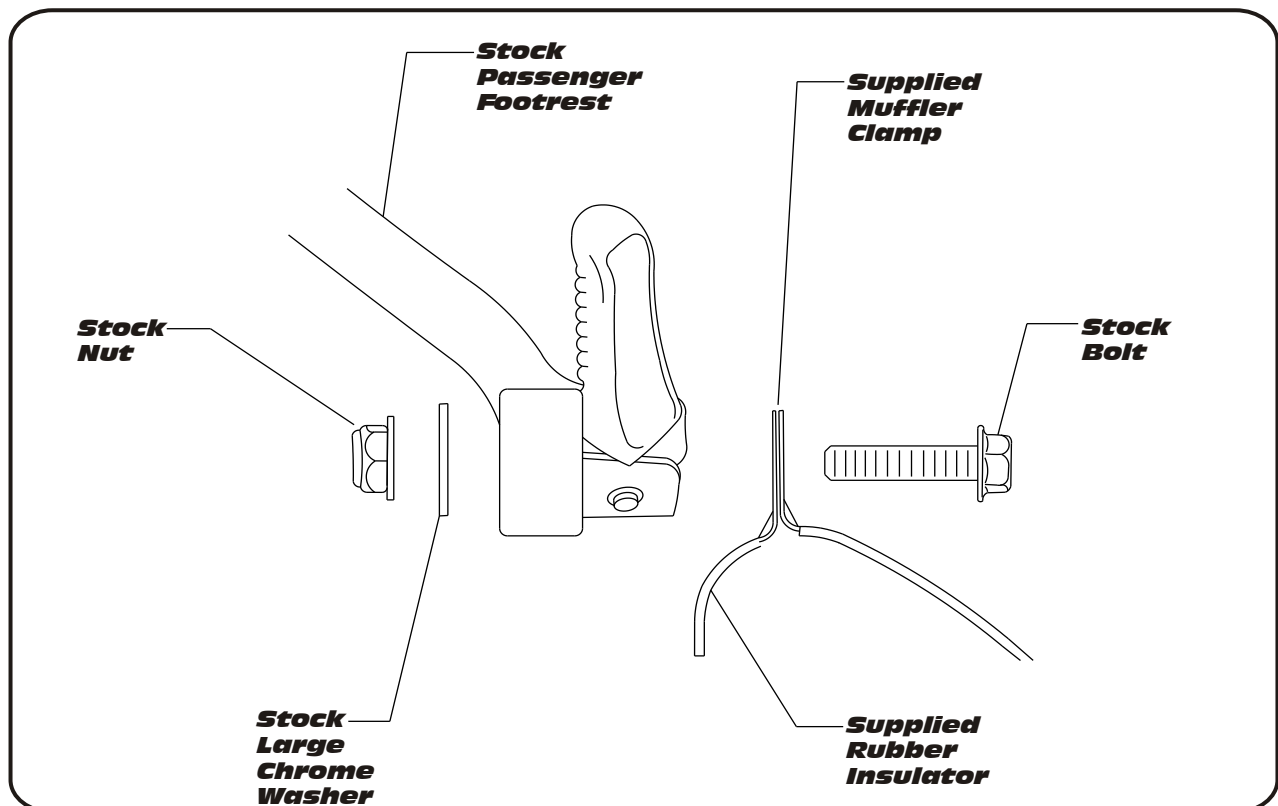
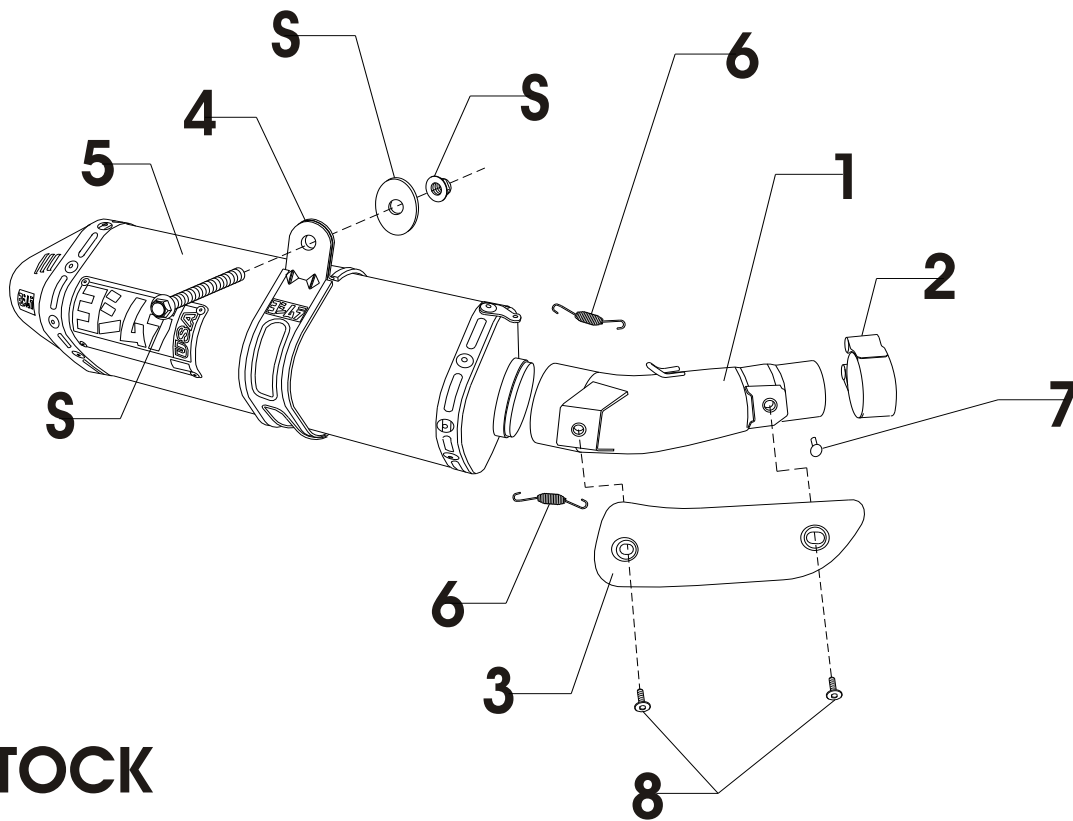


Fig. 4

#140727(2,5,7)



S = STOCK

Parts Diagram

NO.	DESCRIPTION	QTY	PART #
1	Yoshimura Slip-on Tailpipe	1	1407-435
2	Stainless Steel Exhaust Clamp	1	22055
3	Yoshimura Stainless Steel Heatshield	1	1121-HSR
4	Yoshimura Stainless Steel Muffler Clamp Carbon Fiber Sleeve uses Stainless Steel or Titanium Sleeve uses	1	CTS101 CTS101X
5	Yoshimura Race Muffler with Carbon Fiber Sleeve with Stainless Steel Sleeve with Titanium Sleeve	1	1406272-RMA 1406275-RMA 1406277-RMA
6	Small Exhaust Springs	2	RACE-SPX-1
7	Securing Rivet	1	S-RIVET
8	Heatshield Bolts	2	RC116HSB
**	Muffler Clamp Heatshield	1	HT SHLDTRS
**	Spring Puller	1	ST-200
**	Instruction Manual	1	INST KIT
**	Yoshimura Vinyl Stickers	1	17029

WARNING

IN THE STATE OF CALIFORNIA, IT IS ILLEGAL TO MODIFY THE EMISSION CONTROL SYSTEM, WHICH INCLUDES THE CARBURETORS OF ANY VEHICLE.

***Closed Course Competition Jetting Recommendations:
Dynojet Jet Kit PN: 2193***