

MOTOPLASTIC, S.A.

Molí de la sal, 1 - 08403 Granollers (Barcelona) SPAIN

Tel. 34 93 849 06 33 - Fax 34 93 849 09 88

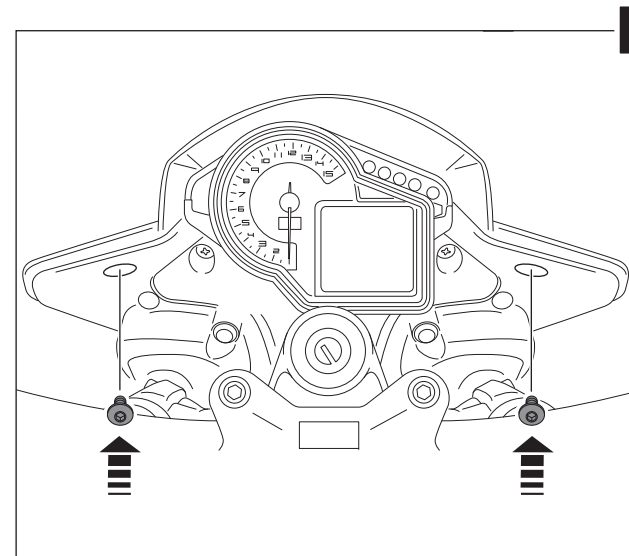
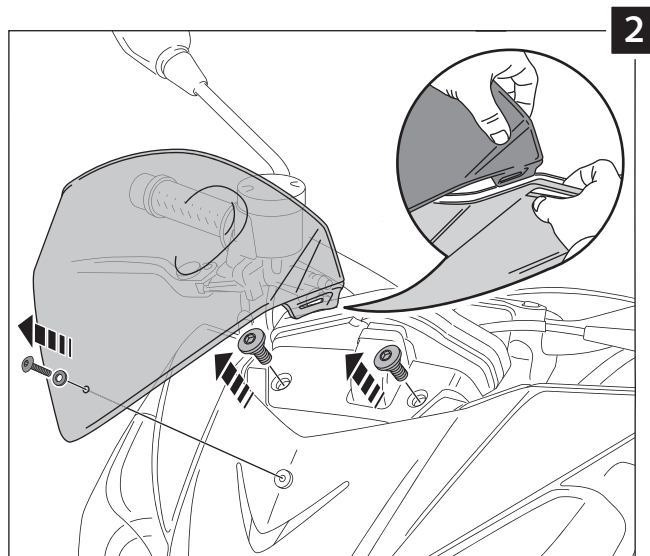
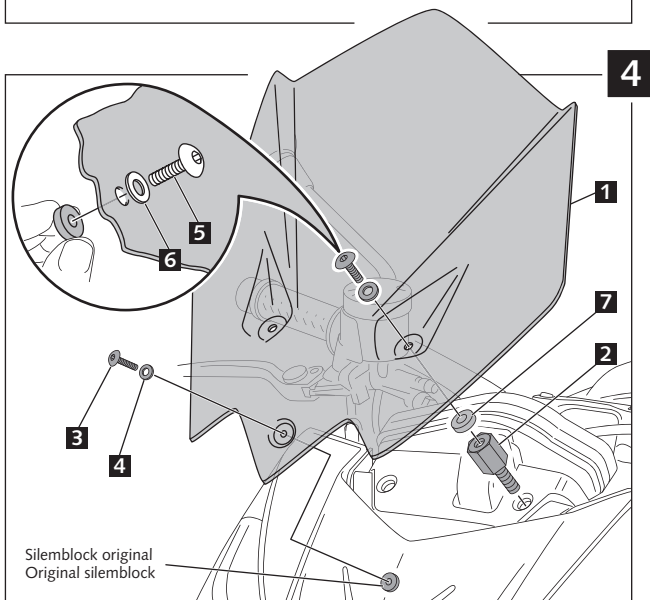
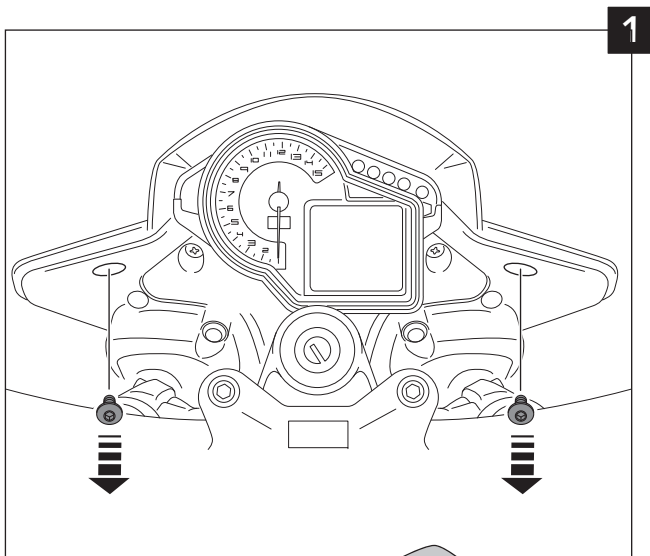
info@puig.tv

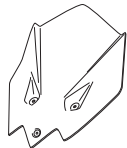






www.puig.tv

INSTRUCCIONES DE MONTAJE - MOUNTING INSTRUCTIONS

CÚPULA ADAPTABLE A - SCREEN ADAPTABLE TO APRILIA TUONO 2011 - 2012

Ref.: 5647



ID.	DESCRIPCIÓN	DESCRIPTION	QTY.
1	 Pantalla	Screen	1
2	 Tornillo especial M5x17 + hexagonal longitud 14mm	Especial screw M5x17 + hexagonal length 14mm	2
3	 Tornillo Allen M4x16 ISO 7380	M4x16 ISO 7380 Allen screw	1
4	 Arandela nylon Ø4xØ8x0,5	Ø4xØ8x0,5 nylon washer	1
5	 Tornillo Allen M5x16 ISO 7380	M5x16 ISO 7380 Allen screw	2
6	 Arandela nylon Ø5xØ11x1	Ø5xØ11x1 nylon washer	2
7	 Arandela goma Ø ext.13 x Ø int.5x4	Ø ext.13 x Ø int.5x4 rubber washer	2

Silemblock original
Original silemblock