

Items Supplied >

- 1 – INTAKE COVER W/ INTAKE SCREEN ASSEMBLY
- 1 – K&N® VENTURI AIR FILTER
- 1 – BILLET VELOCITY STACK
- 1 – MOUNTING PLATE
- 1 – INTAKE GASKET
- 2 – BREATHER BOLT, 3/8"-16 X 1" W/ TEFLON SEALANT
- 3 – BOLT, 1/4"-20 X 3/4", BUTTONHEAD W/ LOCK PATCH
- 3 – BOLT, 1/4"-20 X 5/8", HEX FLANGE
- 3 – LOCK WASHER, 1/4" TOOTHED

Application(s) >

HARLEY:
DRESSER 2008-2014

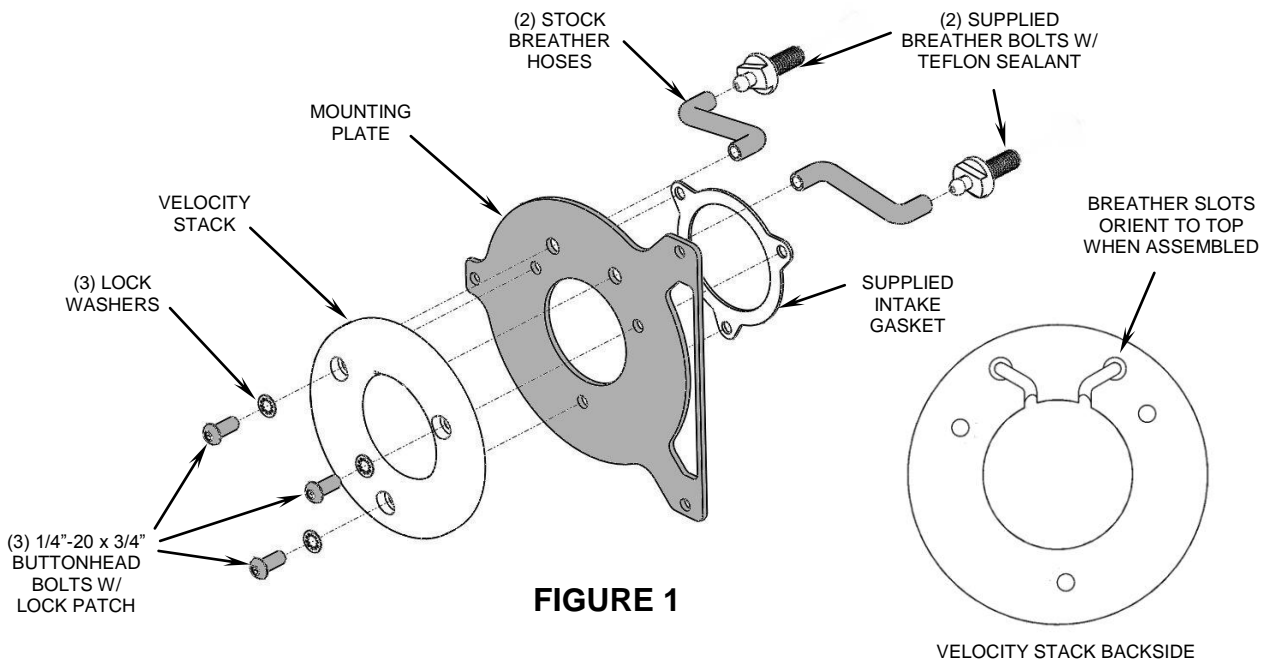
Instruction Manual >

606-0100

Page 1 of 2

Read all instructions carefully and completely before installing your new POWRFLO™ Intake.

1. Remove the allen bolt from the center of the stock air cleaner to remove the cover. Remove the (3) bolts securing the formed bracket located on top of the air filter. Then remove and discard the air filter, air box and seals/gaskets.
2. Remove and discard the (2) stock breather bolts and (2) stock o-rings from the cylinder heads; save the breather hoses for reuse during installation.
3. Insert the (3) supplied 1/4"-20 x 3/4" buttonhead bolts and lock washers through the mounting holes in the velocity stack and mounting plate. While holding that assembly together with one hand, insert the (2) breather hoses through the mounting plate and into the velocity stack with the hoses rotated outward, as shown in Figure 1. **NOTE:** Make sure the longer legs of hoses are bottomed out in the back of the velocity stack.
4. Join together the assembly from Step 3 with the supplied gasket then start threading the (3) buttonhead bolts into the throttle body, but do not tighten.



* Cobra® recommends you always wear a helmet while riding. Please never operate your motorcycle while under the influence of alcohol and/or drugs. Enjoy the new look of your motorcycle and please ride safely.

5. Insert the breather bolts into the cylinder heads and full tighten. Now snug the (3) buttonhead bolts evenly, and then fully tighten them to the throttle body.
6. Insert outer end of rubber hoses over nipples on breather bolts.
7. Place the supplied K&N® filter onto the velocity stack. Insert the intake screen assembly into the POWRFLO™ intake cover so the holes in the bent tabs align with the threaded bosses.
8. Place the intake cover over the air filter and align threaded bosses with the mounting plate holes. Insert the (3) supplied 1/4"-20 x 5/8" hex flange bolts through the mounting plate, intake screen and into the intake cover then tighten. See Figure 2.

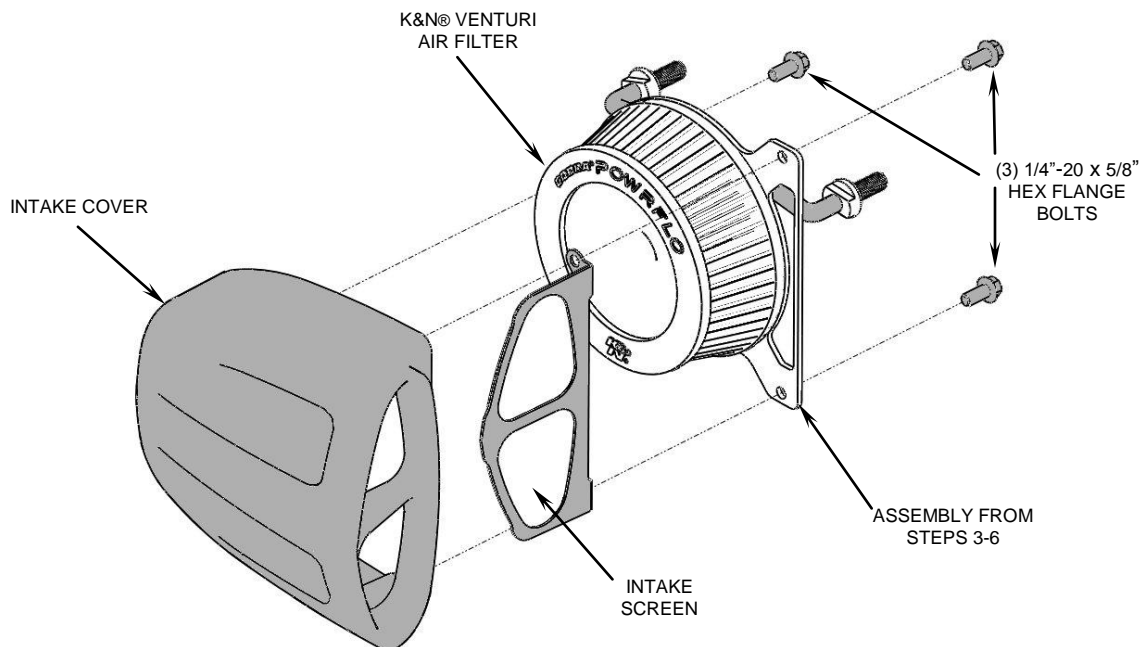


FIGURE 2

California Customers: In California, aftermarket parts that have been identified specifically as replacement parts or that have received an Air Resources Board Executive Order may be used on street motorcycles. All other emissions related aftermarket parts are for competition use only. A list of replacement parts and EO parts, and corresponding fitment is provided at: www.cobrausa.com

IMPORTANT: To achieve optimum performance from your new POWRFLO™ Air Intake it is suggested that you install a Cobra Fi2000® Digital Fuel Processor. Visit www.fi2000r.com