



YOSHIMURA

RESEARCH & DEVELOPMENT OF AMERICA, INC.

5420 DANIELS STREET STE A, CHINO CA. 91710 · (800) 634-9166 · (909) 628-4722 · FACSIMILE (909) 591-2198

www.yoshimura-rd.com

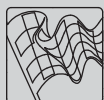
SIGNATURE SERIES

Honda CBR600RR

12281E7220 (CF/CF)

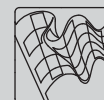
12281E7520 (SS/SS)

RS5 Stainless Steel Slip-On



Signature Series systems are:

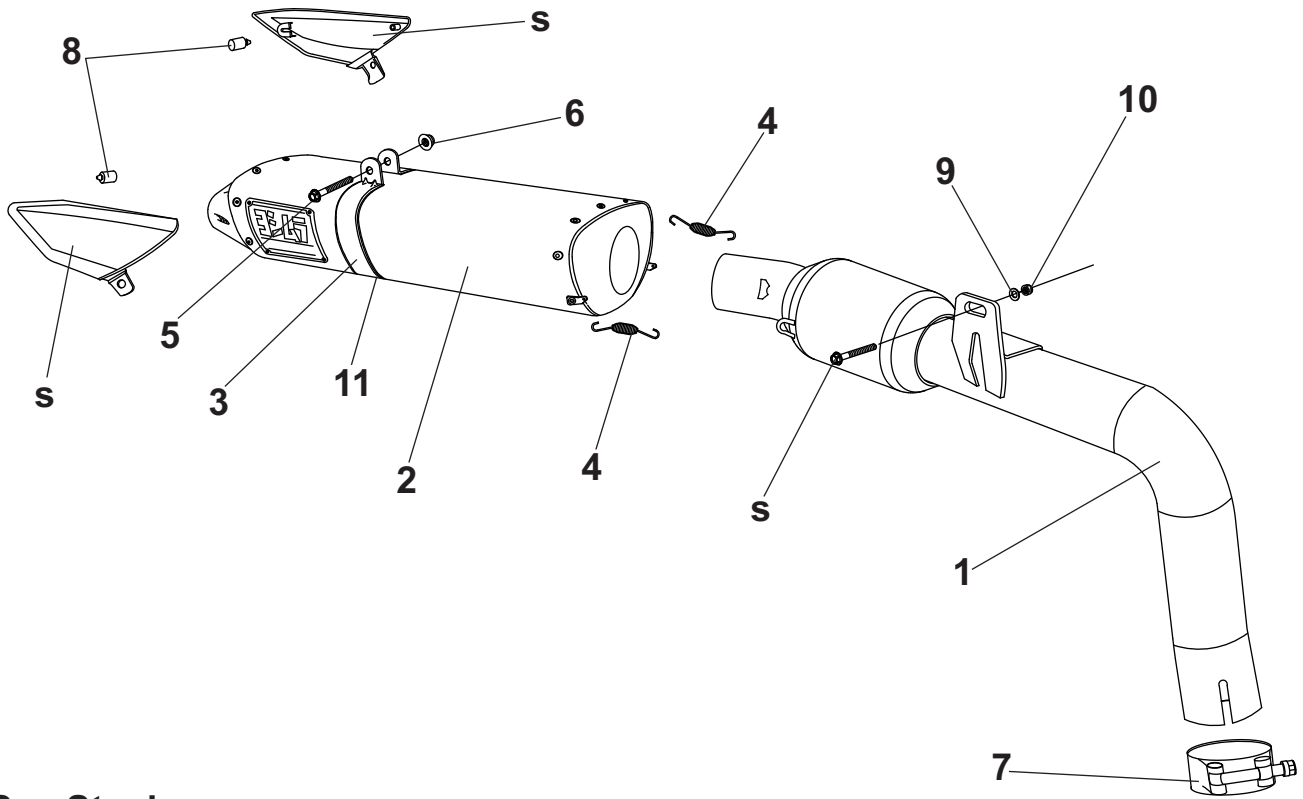
- CARB/EPA tail-pipe emissions compliant.
- Marked with appropriate EPA noise labels.
- Independent laboratory tested for EPA new vehicle noise compliance.



✘ You must know how to remove and replace your stock exhaust in order to install this product otherwise have it installed by a professional mechanic. Keep all stock parts from your existing system as some components may be necessary to install your new Yoshimura exhaust depending on the application. Read through all instructions before beginning installation. Exhaust system can be extremely hot. Let motorcycle cool down before beginning installation. Always wear hand and eye protection and take precautionary measures to avoid injury. ✘

NOTE: IN THE STATE OF CALIFORNIA, IT IS ILLEGAL TO MODIFY THE EMISSION CONTROL SYSTEM. WHICH INCLUDES THE FUEL INJECTION OF ANY VEHICLE.

Assembly Diagram



S = Stock

NO.	DESCRIPTION	QTY	PART #
1	Yoshimura Tailpipe	1	12281-435
2	Yoshimura Signature Series Muffler Assembly with Carbon Fiber Sleeve	1	****
	with Stainless Steel Sleeve		****
3	Muffler Clamp	1	1227-MPC(X)
4	Medium Exhaust Spring	2	RACE-SPS-1
5	8mm x 65mm Flanged Hex Bolt	1	M8X65H-F
6	8mm Nut	1	8MMNUT
7	Stainless Steel Exhaust Clamp	1	27-62MSH
8	Rubber Bumper	2	4284-034
9	6MM Flat Washer	1	6MMWASHER
10	6MM Nylon Lock Nut	1	6MMLN
11	Muffler Clamp Heat Insulator	1	HT SHLDTRS
**	Adhesive Back Foil Heatshield (8" X 16")	2	1200-00-01
**	Spring Puller	1	ST-200
**	Yoshimura Vinyl Sticker	1	17029

(X) Used for stainless steel muffler canisters.

**** Signature Series muffler replacement part number unavailable. Repair or replacement of Signature Series exhaust systems is only available directly through Yoshimura R&D of America, Inc.

Removal

1. Remove rider and passenger seat.
2. Remove passenger seat cowl by removing the four bolts securing rear cowl to subframe. Pull cowl up and toward the rear to remove. Remove muffler heatshield bolt at the same time.
3. Disconnect the license plate light and turn signal wires.
4. Remove the four bolts securing the stock fender assembly to subframe and carefully remove the stock fender assembly.
5. Remove right rearset assembly by removing the bolts shown below.

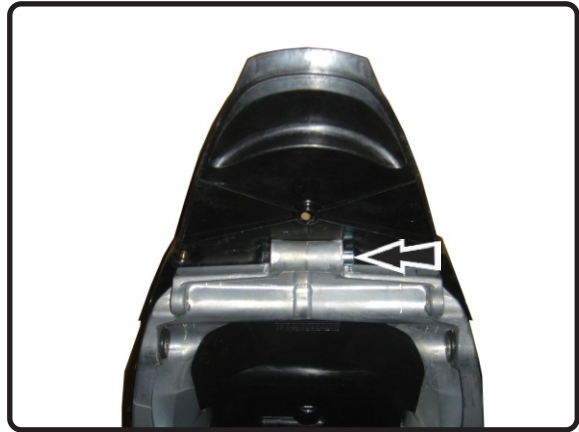


6. Remove right side passenger footpeg bracket.
7. Remove the stock metal tailpipe heatshield.
8. Remove the two muffler mount bolts securing the stock muffler assembly to subframe.
9. Loosen the stock exhaust clamp located behind right rearset and carefully remove the stock muffler assembly and stock muffler heatshield.

Note¹: The stock tailpipe exhaust gasket will not be used with the Yoshimura exhaust system.

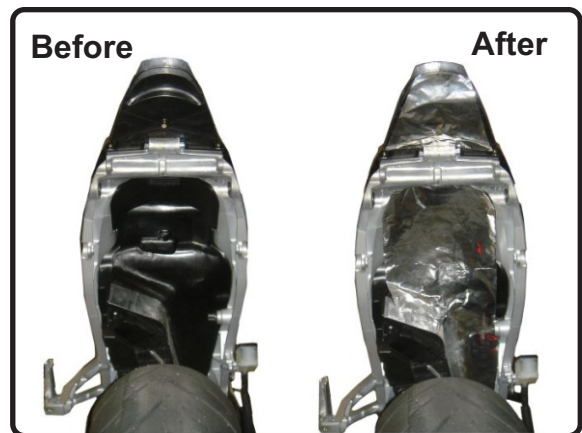
Note²: The stock muffler heatshield will not be used with the Yoshimura exhaust system.

10. Remove the rear center subframe bolt as shown. Yoshimura muffler will be mounted to this location.



11. Cut out the supplied heatshield template and follow instructions on template.

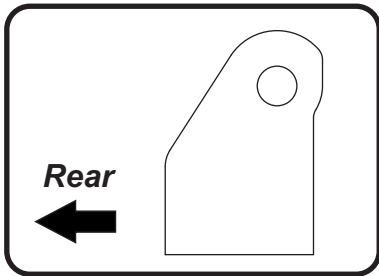
Note: Use rubbing alcohol to clean the surface where the heatshield will be applied.



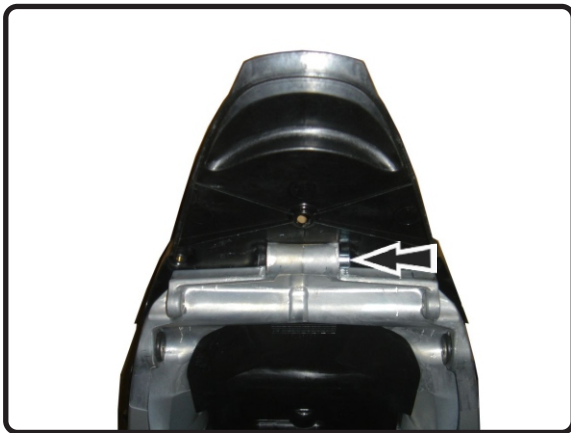
12. Remove (No. 4) *RACE-SPS-1*, medium exhaust spring and separate (No. 2) *Yoshimura muffler* from (No. 1) *12281-435*, tailpipe.
13. Install (No. 7) *27-62MSH*, exhaust clamp over (No. 1) *12281-435*, tailpipe inlet.
14. Install (No. 1) *12281-435*, tailpipe inlet over the stock header outlet.
15. Secure (No. 1) *12281-435*, tailpipe chassis mount to chassis using the stock bolt, (No. 9) *6MMWASHER*, washer, and (No. 10) *6MMLN*, nut. See diagram for proper orientation and order of hardware. Do not torque at this time.
16. Install (No. 2) *Yoshimura muffler* onto (No. 1) *12281-435*, tailpipe outlet and re-install (No. 4) *RACE-SPS-1*, medium exhaust springs.
17. Install (No. 11) *HT SHLDTRS*, muffler clamp heat insulator onto (No. 3) *1227-MPC(X)*, muffler clamp.

18. Install (No. 3) *1227-MPC(X)*, muffler clamp over (No. 2) *Yoshimura* muffler.

Note: (No. 3) *1227-MPC(X)*, muffler clamp is directional. See below for proper orientation.



19. Align muffler clamp mount to rear center subframe and secure using (No. 5) *M8X65H-F*, bolt and (No. 6) *8MMNUT*, flange nut. Torque to 24.4 Nm (2.4 kg-m, 18 ft-lb).



20. Torque tailpipe chassis mount bolt to factory specification.
21. Torque (No. 7) *27-62MSH*, exhaust clamp to 8.5 Nm (0.86 kg-m, 6 ft-lb).
22. Re-install the stock metal tailpipe heatshield, right rearset, passenger footpeg bracket, stock fender assembly, rear cowl, rider and passenger seat using the reverse steps of removal.
23. Install (No. 8) *4284-034*, rubber bumpers into the stock left and right plastic muffler heatshield.
24. Before starting motorcycle, check for proper clearance between new exhaust system and rear suspension (i.e. tire, swing arm, brakes, rear shock, and etc.) If any problem is found, please carefully follow through the installation steps again.

If problem still persists, please call Yoshimura Tech Department at (800) 634-9166 / in CA (909) 628-4722.

25. It is recommended that the muffler and tailpipe be wiped down with rubbing alcohol to remove oil and fingerprints. This will help prevent tarnishing of the finish after the exhaust is heated up.

Note: After starting motorcycle, it is normal for new exhaust system and muffler to emit smoke until oil residue burns off.

NOISE EMISSION WARRANTY

Yoshimura warrants that this exhaust system, at time of sale, meets all applicable U.S. E.P.A. Federal noise standards. This warranty extends to the first person who buys this exhaust system for purposes other than resale, and to all subsequent buyers. Warranty claims should be directed to Yoshimura R&D of America, Inc.
5420 Daniels St. Chino, CA 91710 | Tel (800) 634-9166

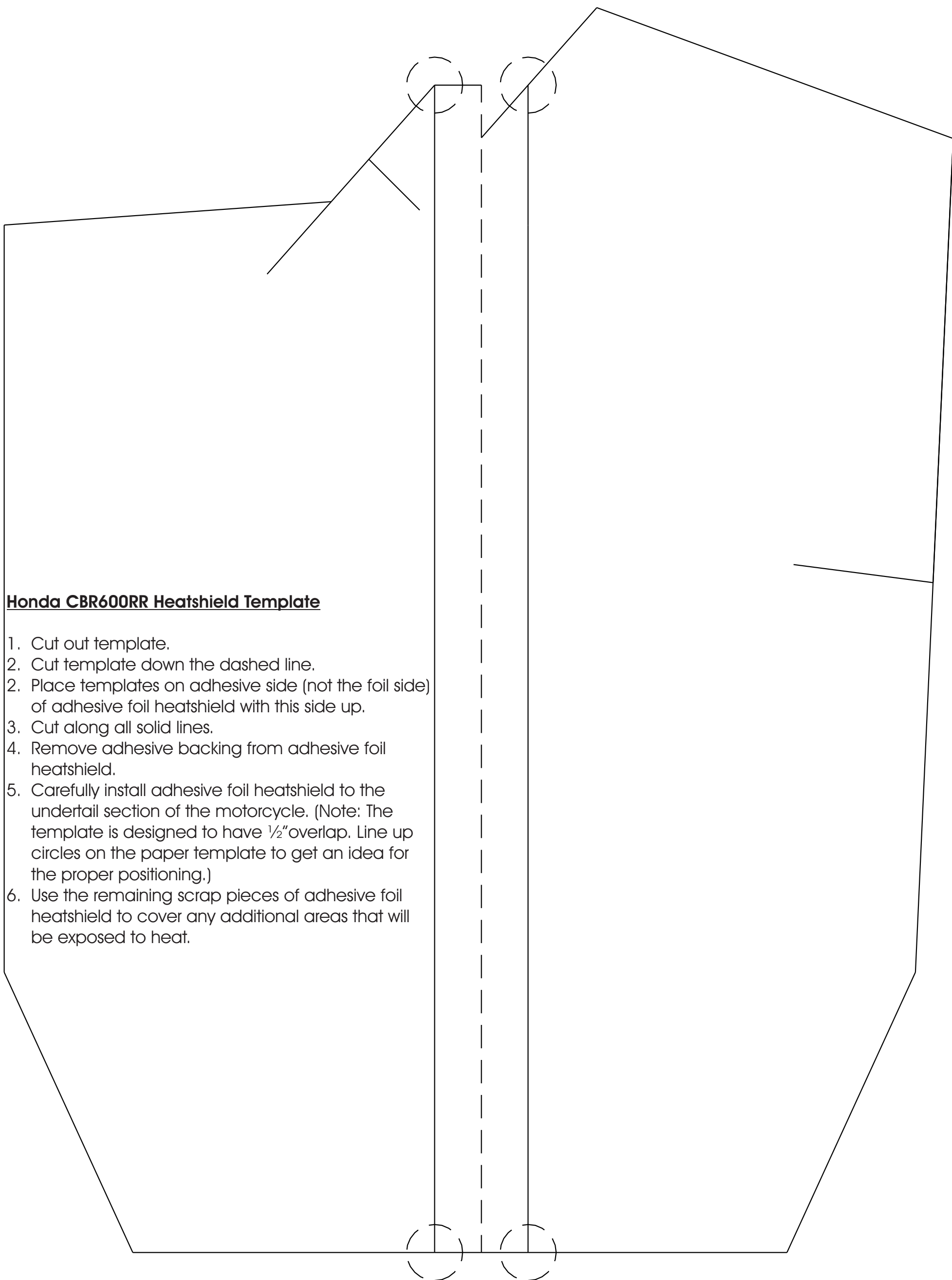
TAMPERING PROHIBITION

Federal law prohibits any modification to this exhaust system which causes the motorcycle to exceed the Federal noise standard. Use of the motorcycle with such a modified exhaust system is also prohibited.

Acts likely to constitute tampering include removal or puncturing the muffler, baffles, header pipes, or any other component which conducts exhaust gases.

WARNING: This product should be checked for repair or replacement if the motorcycle noise has increased significantly through use. Otherwise, the owner may become subject to penalties under state and local ordinances.

This Page Has Been Left
Blank Intentionally



Honda CBR600RR Heatshield Template

1. Cut out template.
2. Cut template down the dashed line.
2. Place templates on adhesive side (not the foil side) of adhesive foil heatshield with this side up.
3. Cut along all solid lines.
4. Remove adhesive backing from adhesive foil heatshield.
5. Carefully install adhesive foil heatshield to the undertail section of the motorcycle. (Note: The template is designed to have 1/2" overlap. Line up circles on the paper template to get an idea for the proper positioning.)
6. Use the remaining scrap pieces of adhesive foil heatshield to cover any additional areas that will be exposed to heat.

