

HAYABUSA 2008 TO PRESENT DIY WINDSCREEN INSTALL

Installation Instructions for Hayabusa 2008 to present.

Thank you for purchasing a Zero Gravity windscreen, which has been designed and manufactured to give years of safe & fun riding. These instructions give you an in-depth look at the installation process. To receive further assistance or parts please e-mail techinfo@zerogravity-racing.com.

PLEASE READ BEFORE MOUNTING YOUR WINDSCREEN

Helpful hints: Use metric tools, clean hands, put the bike on a stand. Do not pry on the screen excessively, as it can break without warning.

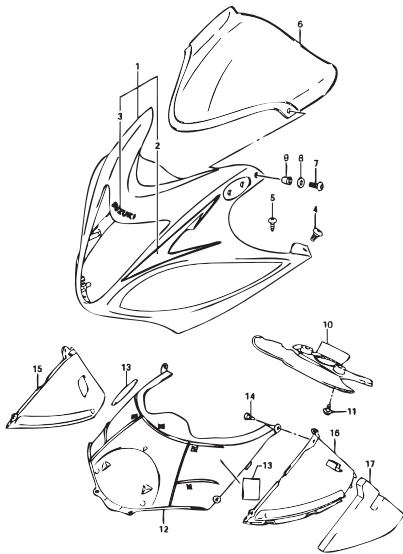


FIG1

Fig 1. Remove both mirrors. Unfold the mirror rubber boot to access both fasteners. Be careful not to drop the mirrors! Locate two plastic dowel fastener located in the inside fairing. These are removed by pushing the center head.



FIG2

Fig 2. After removing the mirrors, pull out the wellnut on the corner fairing to remove the stock windscreen as shown in **Fig 2**.



FIG2A

Fig 2A. Here's what the stock wellnut looks like. **Note:** The slight bulge in the center rubber. This is normal and provides the retention to the windscreen and fairing in the hole. (See **FIG2**).



FIG3

Fig 3. Once both wellnuts are removed, take both hands and apply equal tension and pull the screen straight out to remove. (**See FIG3**).

HAYABUSA 2008 TO PRESENT DIY WINDSCREEN INSTALL



FIG4 First To Slide Into The Fairing

Fig 4. After removing the stock screen, the Zero Gravity replacement is installed/removed just like the stock screen. The tab in the front of the screen is the first to slide into the fairing.



FIG5

Fig 5. After inserting the middle screen tab into fairing, use both hands to lightly bow the windscreen and carefully insert into the inside fairing. Massage the screen to place into the fairing.

Note: Be careful not to mare or scratch fairing surface. The corner of the screen has a internal fairing to avoid hangup as shown. **(See FIG6).**

Be careful not too exert to much force!

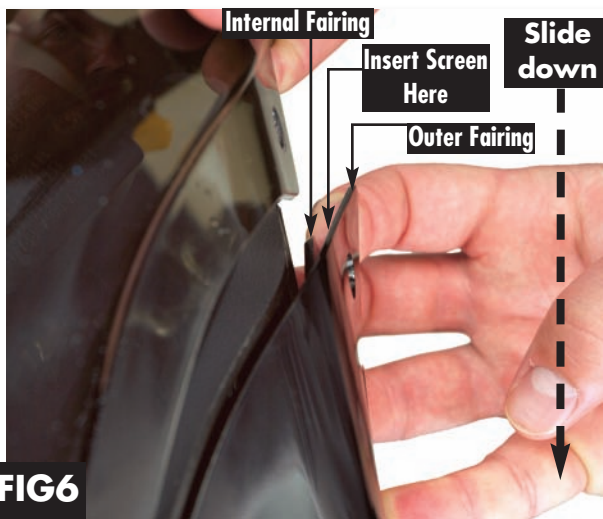


FIG6

Fig 6. HERE IS THE TRICKY PART! Now you are ready to insert the corner screen into the fairing. At the corner of the fairing, **apply light pressure** to lift and expose the hidden internal fairing. Looking from the **top of the fairing, in front** of the windscreen. Insert the corner of the windscreen plastic to the top of the internal fairing. As shown above. Apply light pressure seperating the internal fairing and the outer fairing. This seperation will provide the screen to slide into the fairing. Once both corners are positioned, slide the screen down using equal pressure.

Be careful not too exert to much force!



FIG7

Fig 7. Now you are ready to lock the screen into position. Locate the two Allen screws and Wellnut removed from the dismantled stock screen. Put them together like this, slightly screw the Allens into the wellnuts.

HAYABUSA 2008 TO PRESENT DIY WINDSCREEN INSTALL

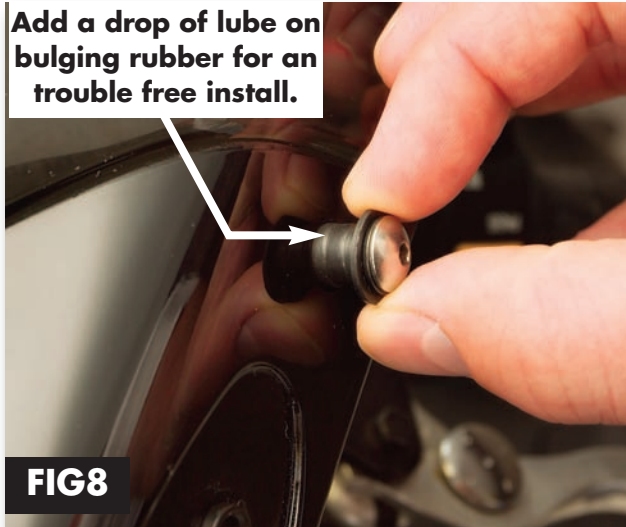


FIG 8. To install the wellnut, a **simple trick** like shown will help with the install. Insert the Allen screw, **this is slightly screwed in** and not to compress the rubber wellnut for this wellnut install. Use lubricant to provide the ease of installation. Pop both wellnut/Allen screws in and apply snug tension to each sides. Reinstall mirror and double check your installed work.



Please see www.zerogravity-racing.com for further information concerning this product.