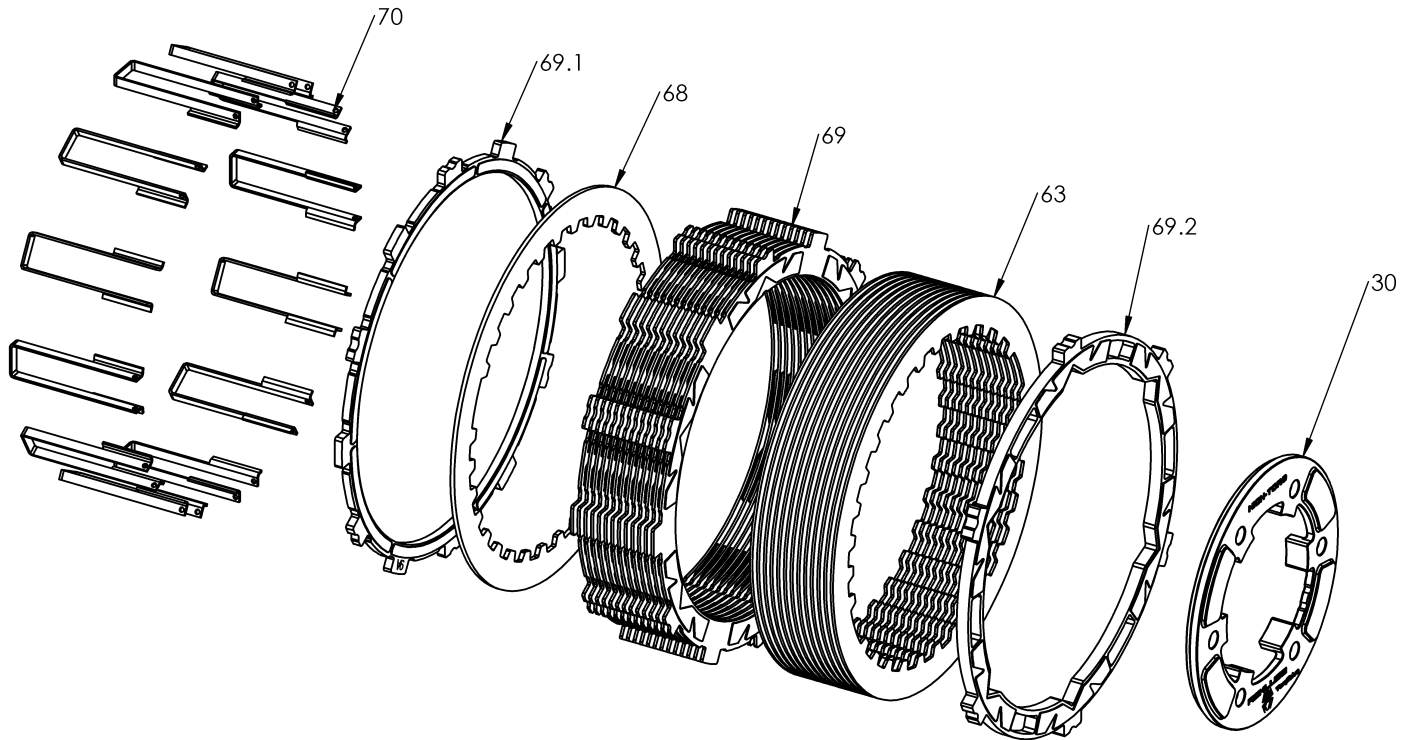


RMS-284E - TORQ-DRIVE CLUTCH (HD)



Item	Part Number	Item Description	Qty
31	184-013A	SPRING HOLD-DOWN PLATE - High-Torque Spring Ring for H	1
63	460-600B	DRIVE PLATE - 0.040 Harley Big Twin	13
68	466-600B	DRIVE PLATE - 0.065 Harley Big Twin	1
69	469-300A	FRICITION DISK - BT Thin Friction Disk	13
69.1	469-309A	FRICITION DISK - BT - Thick .150in 3.81mm	1
69.2	469-399A	FRICITION DISK - BT Top Friction - Thick .218in 5.54mm	1
70	471-301	BASKET SLEEVE - 98+ Harley Big Twin Basket Sleeve	12