

# Polaris Scrambler and Others

## Winch Mount

**PART # 100520**

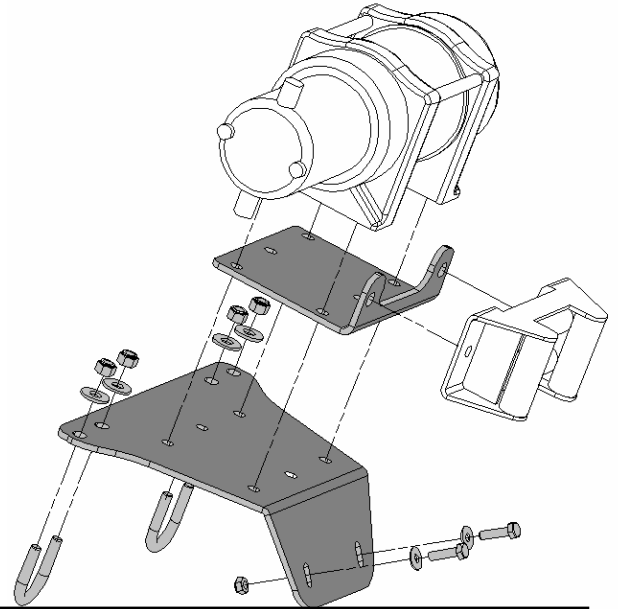
### Kit Components:

<u>Qty</u>	<u>Part Description</u>
1.....	Winch Mount mounting bracket
1.....	Winch Mount fairlead bracket
2.....	5/16" U-Bolts
4.....	5/16" Nylock Nuts
4.....	5/16" SAE Flat Washers
2.....	1/4-20 x 1.00" HH Bolts
2.....	1/4-20 Locking Hex Nuts
2.....	1/4" Flat Washers

**"You will need a 1/4" drill bit and drill to install"**

### INSTALLATION INSTRUCTIONS:

1. Use a 1/4" drill bit and to drill out the two rivets shown in "Figure 1".
2. Assemble the Mount plate to the frame as shown in "Figure 2" with the supplied hardware. Tighten all hardware.
3. Assemble the Roller/Hawse Fairlead to the supplied fairlead bracket or to the fairlead bracket that came with your Winch or Fairlead.
4. Assemble the winch to the Fairlead Bracket and the Mount on your Machine as shown in the above exploded view using the hardware that came with your Winch.
5. Using the instructions provided with your winch, wire accordingly.



**"FIGURE 1"** Drill out (2) rivets



**"FIGURE 2"** Assemble mount plate

