



YOSHIMURA

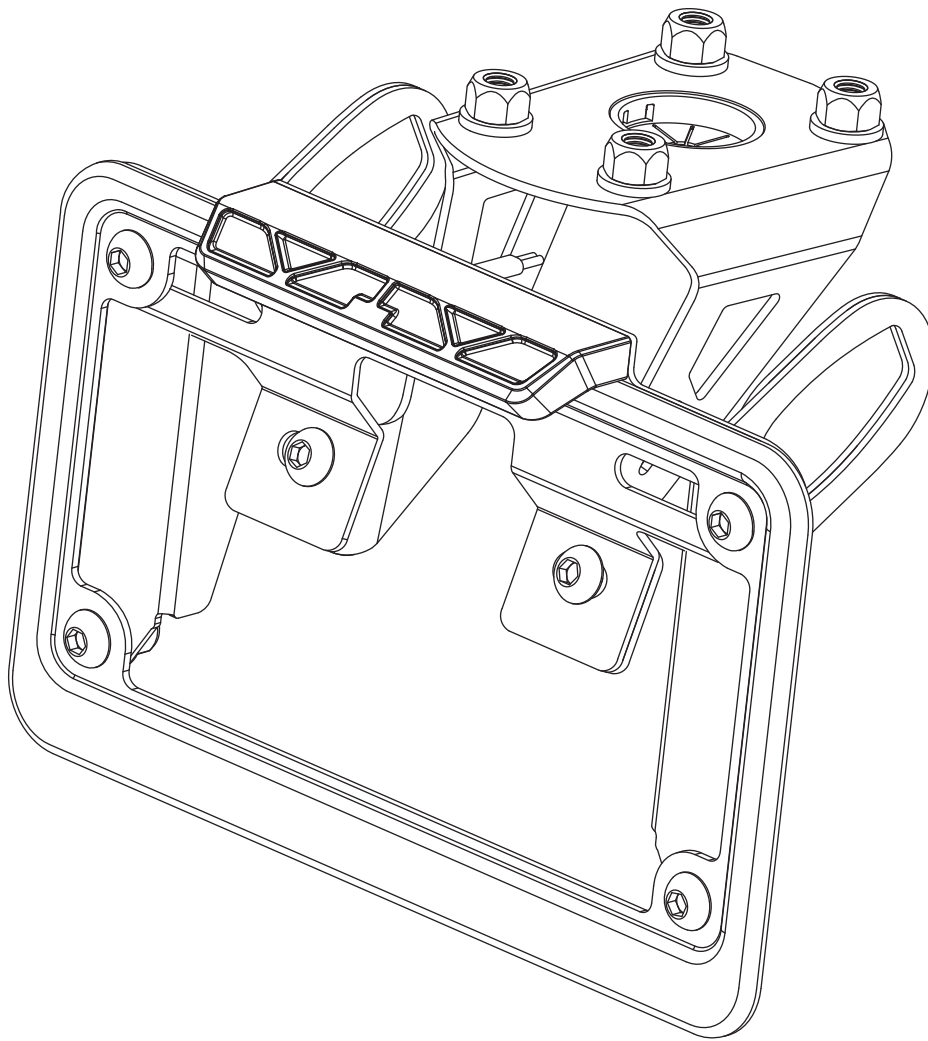
RESEARCH&DEVELOPMENT OF AMERICA,

5420 DANIELS STREET STE A, CHINO CA., 91710 · (800)634-9166 · (909)628-4722 · FACSIMILE (909)591-2198

www.yoshimura-rd.com

FENDER ELIMINATOR KIT

070BG146420
KAWASAKI ZX6R

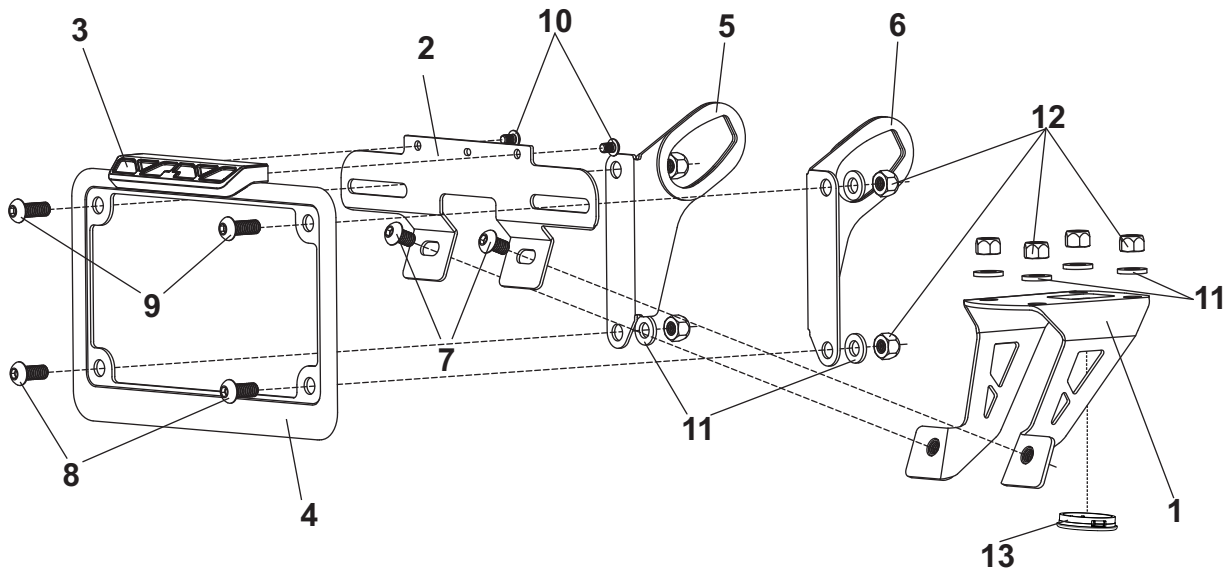


THIS PRODUCT IS NOT DOT APPROVED.

Yoshimura R&D of America, Inc. is not liable or responsible for any resulting event caused by the installation of this product. Check with local laws and regulations for compliance prior to installation and use. This product is not intended for use on public highways.



Assembly Diagram



No.	Item	Description	Qty.
1	14642-FEBKT	Fender Eliminator Bracket	1
2	12200-FEBKT	12200 FE Bracket	1
3	070BG-LH-K1	LED License Plate Light	1
4	070BG-LPF	License Plate Frame	1
5	14650-TSL-BKT	Left Turn Signal Bracket	1
6	14650-TSR-BKT	Right Turn Signal Bracket	1
7	M6X10BHS	6mm x 10mm Button Head Screw	2
8	M6X14BHS	6mm x 14mm Button Head Screw	2
9	M6X16BHS	6mm x 16mm Button Head Screw	2
10	M4X6BHS	4mm x 6mm Button Head Screw	2
11	6MMWASHER	6mm Washer	8
12	6MMLN	6mm Nylon Lock Nut	8
13	H-2158	Debris Cover	
**	BN-SSS-22-18	Solder Shrink Connectors	2
**	17100	Yoshimura Sticker Sheet	1
Optional Parts			
***	070BGUNVTBKT	Universal Turn Signal Bracket Kit	

** Not shown on diagram.

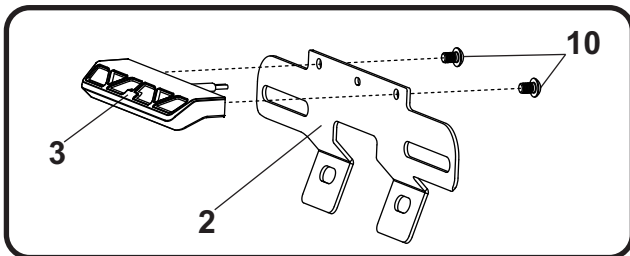
*** The Yoshimura Universal Turn Signal Bracket Kit is to be used with aftermarket stud-mounted turn signals and is sold separately.

Removal

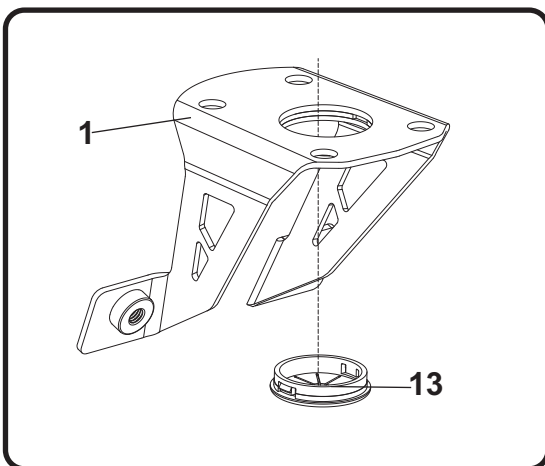
1. Remove passenger and rider seat.
2. Locate and disconnect license plate light and turn signal connectors.
3. While securely supporting the stock fender assembly, remove the four bolts securing the fender assembly. Carefully remove the stock fender assembly making sure not to damage connectors in the process.
4. Remove left and right turn signals from the stock fender assembly.
5. Cut the stock license plate light connector from the stock fender assembly. Be sure to cut at least a 6" section of wire from the connector.

Installation

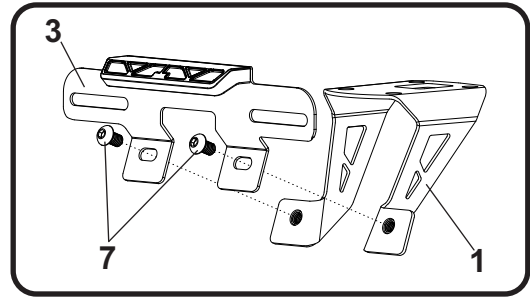
1. Install (No. 3) 070BG-LH-K1, license plate light onto (No. 2) 12200-FEBKT, fender eliminator bracket using (No. 10) M4X6BHS, 4mm screws.



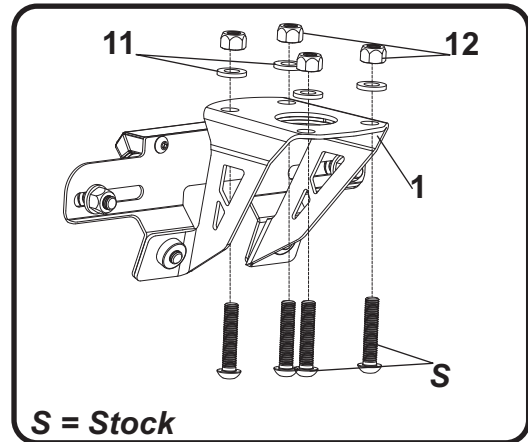
2. Install (No. 13) H-2158, debris cover onto (No. 1) 14642-FEBKT, fender eliminator. Align the tabs on the debris cover with the cutouts on the bracket for a secure fit.



3. Install (No. 1) 14642-FEBKT, fender eliminator bracket onto (No. 2) 12200-FEBKT, fender eliminator bracket using (No. 7) M6X10BHS, 6mm screws.



4. Secure and install (No. 1) 14642-FEBKT, fender eliminator bracket to subframe using Stock 6mm button head screws. Install (No. 11,12) 6MMWASHER and 6MMLN, 6mm washer and nut from above as shown.



5. Using the BN-SSS-22-18 solder shrink connectors provided in the kit, connect the Yoshimura license plate light wires to the stock license plate light wires as follows:

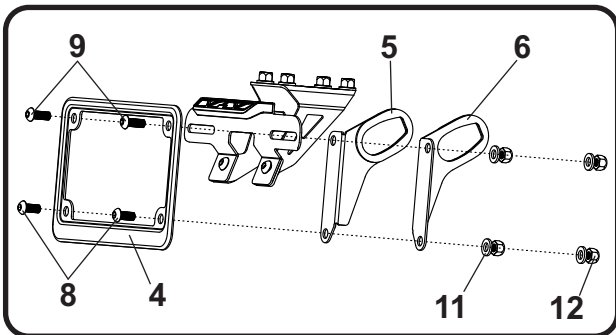
Red -to- Green
Black -to- Black / Yellow

- a) Strip the stock fender light wire ends 1/4" - 1/2" and insert into BN-SSS-22-18, solder shrink connectors provided in the kit.
- b) Center the spliced wire ends in the middle and using a heatgun or lighter, apply heat evenly on the outer edges of the butt connector to shrink and hold wires in place.
- c) Making sure that the stripped ends are centered, heat the center of the solder shrink connector evenly until the solder begins to liquify.
- d) Allow to cool completely and tug both ends of the wires to verify that connection is secured.

Scan for link to solder shrink connector instruction video



6. Install stock rear turn signals onto (No. 5,6) *14650-TSL/R-BKT*, left and right turn signal brackets using the stock hardware.
7. Install (No. 5,6) *14650-TSL/R-BKT*, left and right turn signal brackets and (No. 4) *070BG-LPF*, license plate frame to (No. 1) *14642-FEBKT*, fender eliminator bracket using the (No. 8,9) *M6X14BHS* and *M6X16BHS*, 6mm button head screws and (No. 11,12) *6MMWASHER*, *6MMLN*, washer and nut as shown.



8. Route license plate light and turn signal connectors through (No.13) *H-2158*, debris cover. Re-connect license plate light and turn signal connectors.
9. Re-install passenger and rider seat.
10. Check for proper function of license plate light and turn signals and that all brackets and components are secure prior to riding.