



SN.

Dr. Jekyll & Mr. Hyde[®]

THE EXHAUST

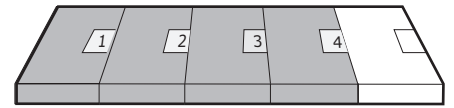
MANUAL : HARLEY-DAVIDSON[®] USA



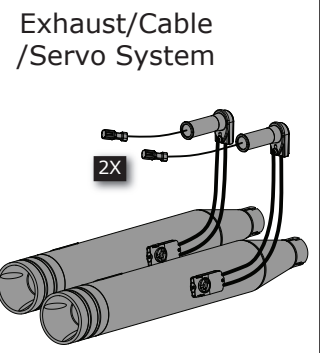
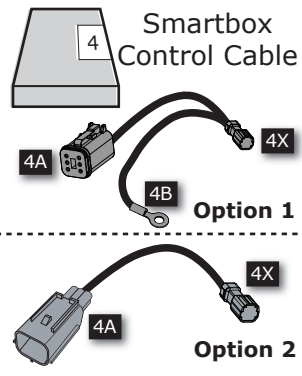
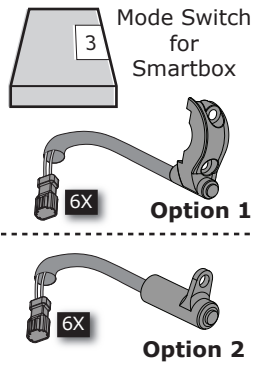
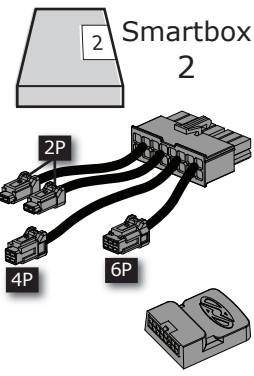
Touring 2-1
2017 ->

1

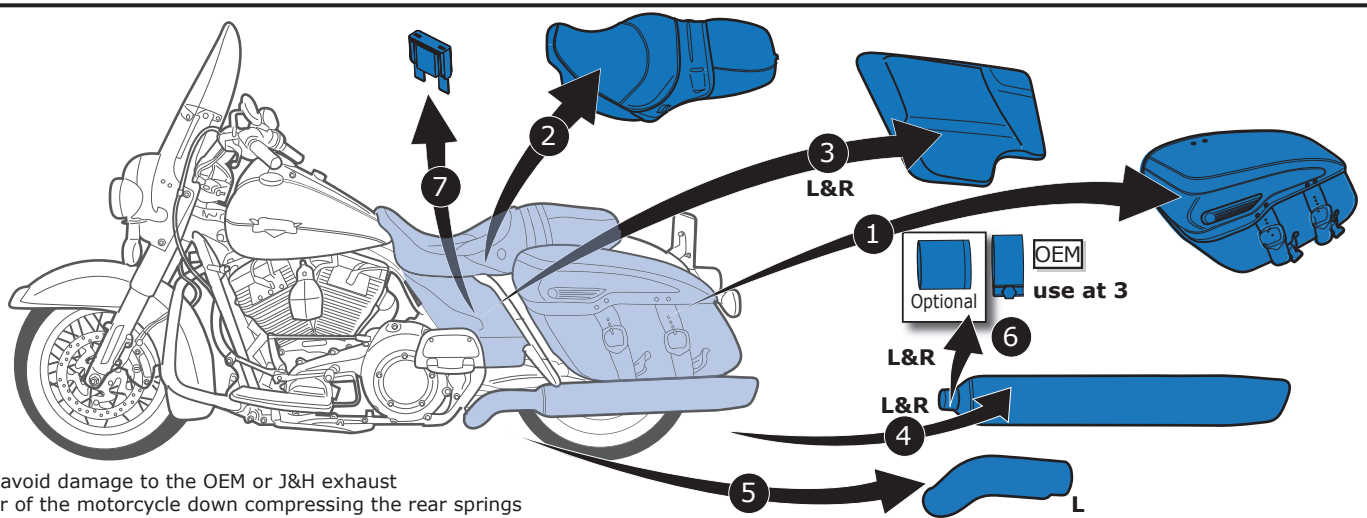
Touring 2-1 2017-> Smartbox 2



- 1 Assembly Kit**
- PC 2x
 - B1 4x
 - B2 1x
 - N1 1x
 - B3 1x
 - SP1 4x
 - SW1 4x
 - W1 4x
 - W2 1x
 - BR1 2x
 - TR 6x



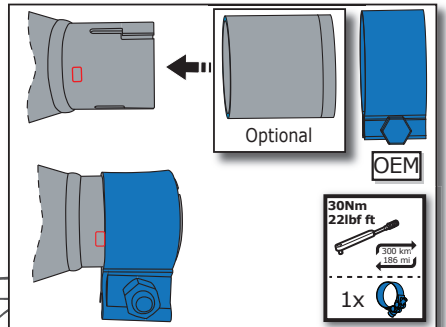
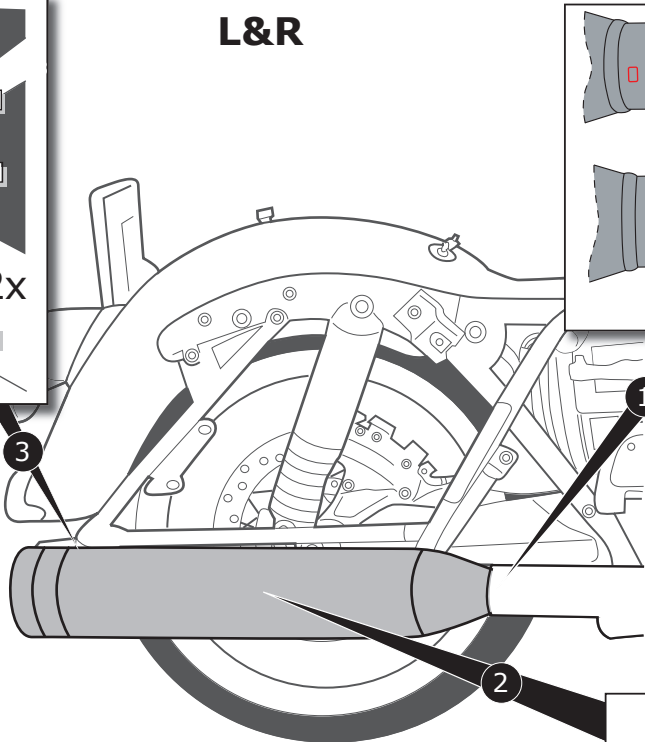
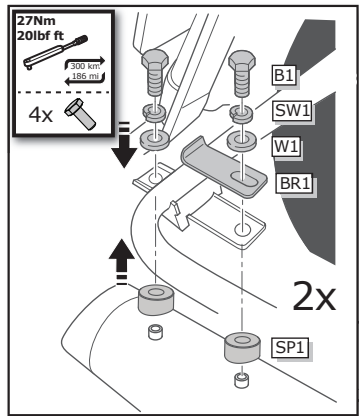
2



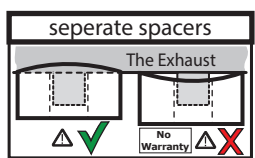
TIP: to avoid damage to the OEM or J&H exhaust pull rear of the motorcycle down compressing the rear springs

3

- 1 Items required**
- PC 2x
 - B2 1x
 - N1 1x
 - B3 1x
 - SP1 4x
 - B1 4x
 - SW1 4x
 - W1 4x
 - W2 1x
 - BR1 2x
 - TR 6x



HD-OEM gasket numbers:
Left hand side 65900017
Right hand side 65900056
Optional



CONTINUE WITH STEP 4 AT :

PAGE 4

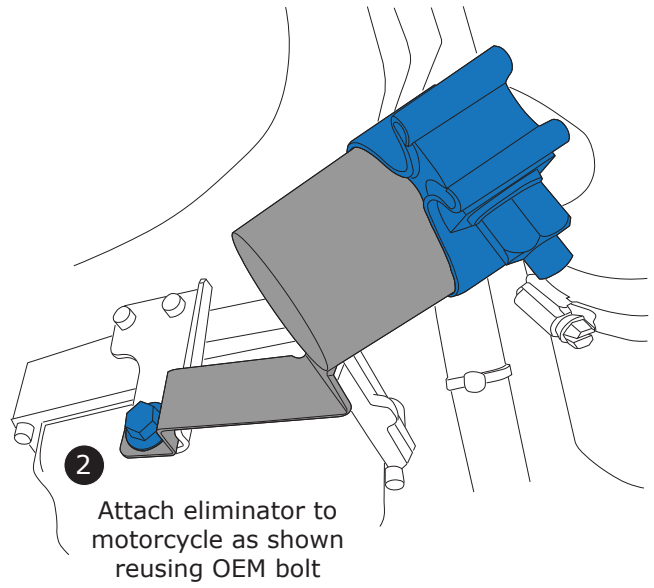
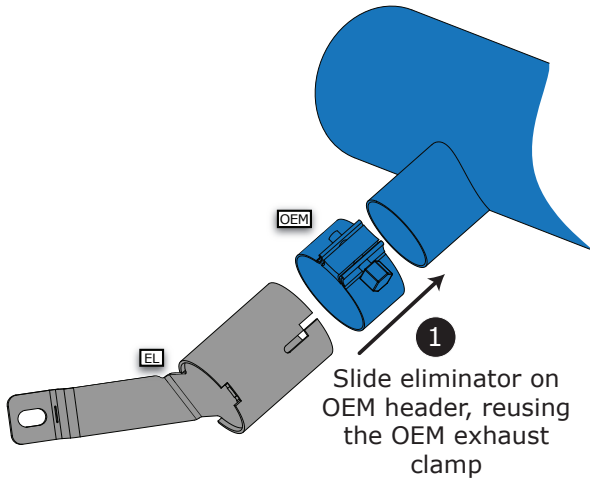
FOR MODEL YEAR 2017 -> 2020

PAGE 6

FOR MODEL YEAR 2021 -> UP

4

Install left exhaust eliminator



3

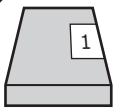
30Nm
22lbf ft

300 km/h
185 mi/h

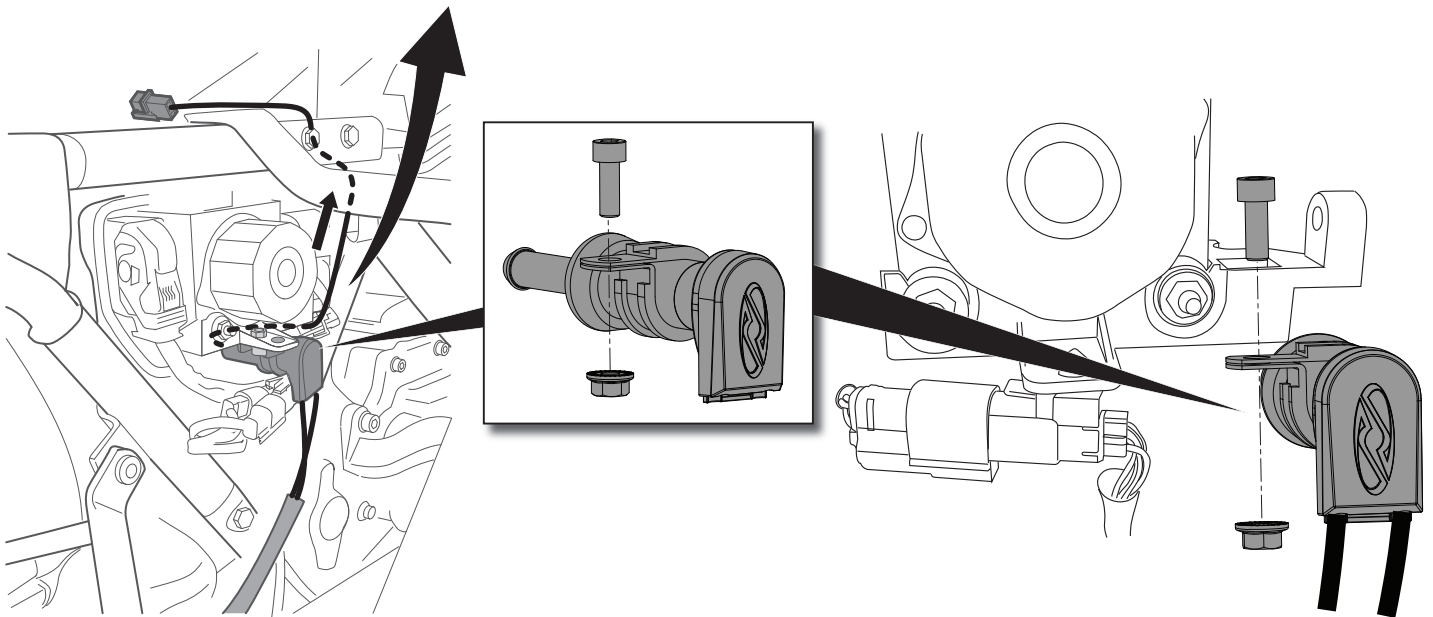
1x

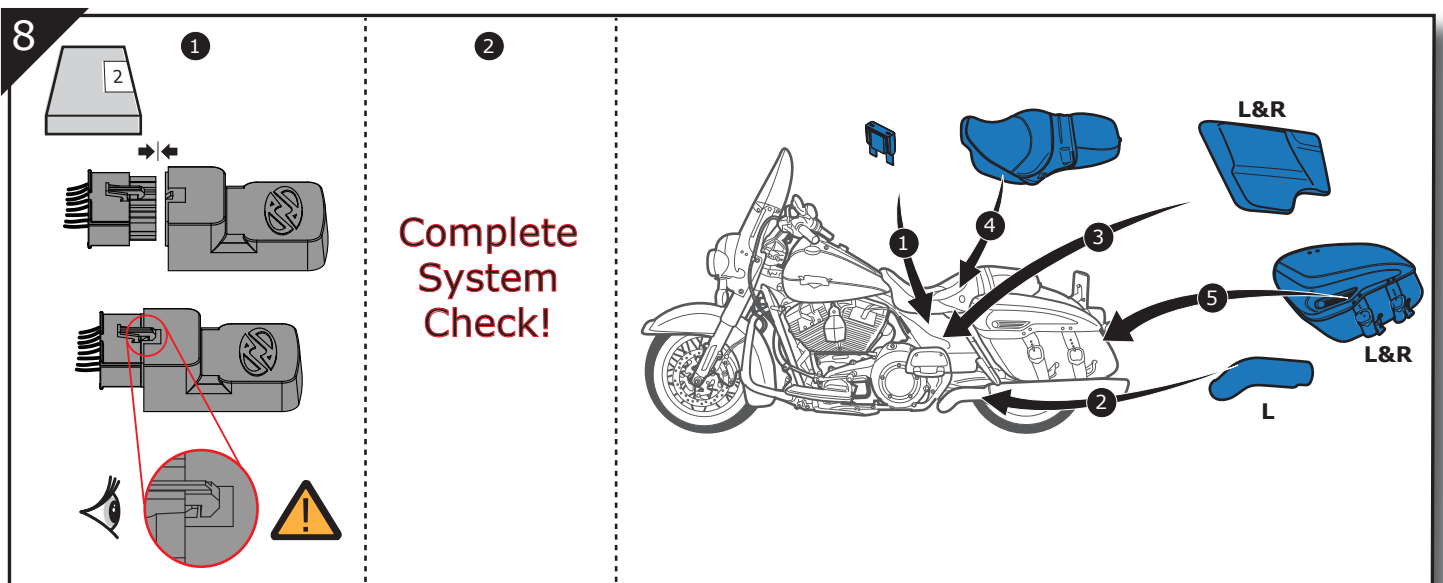
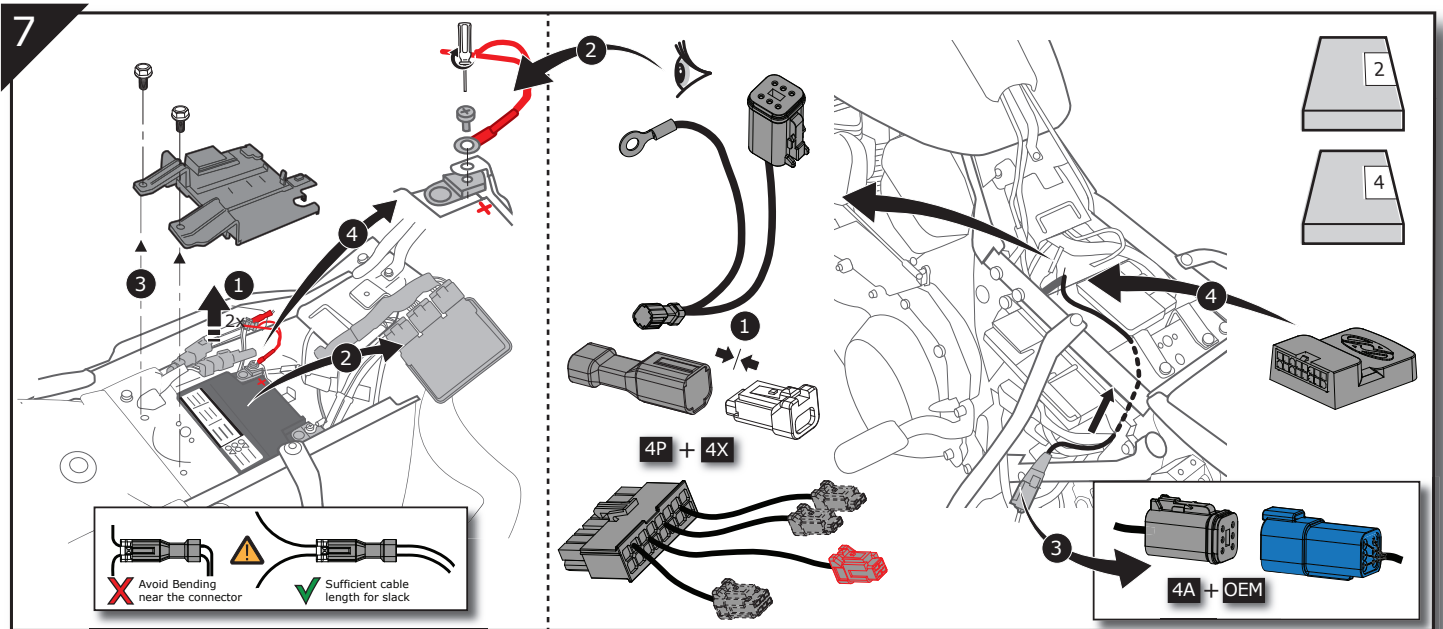
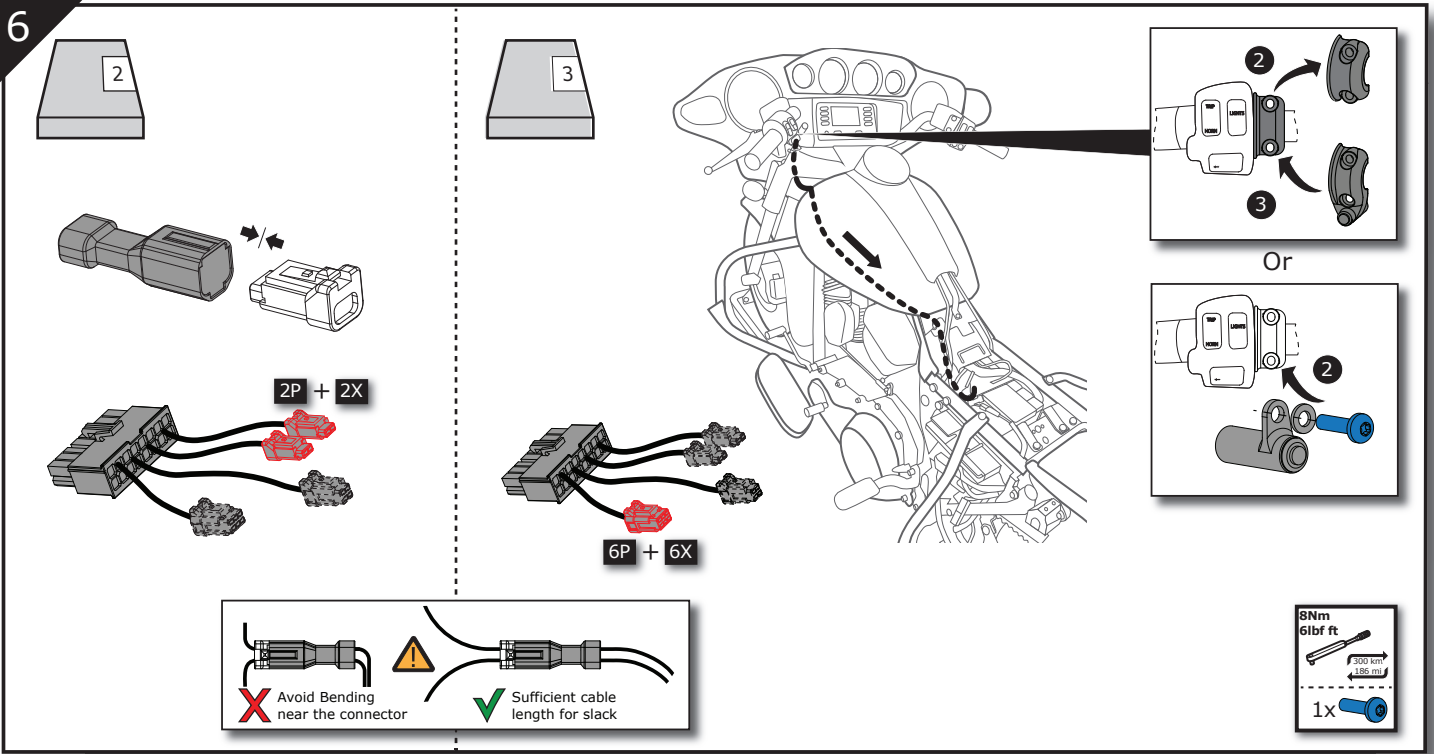
5

Servo Position Right



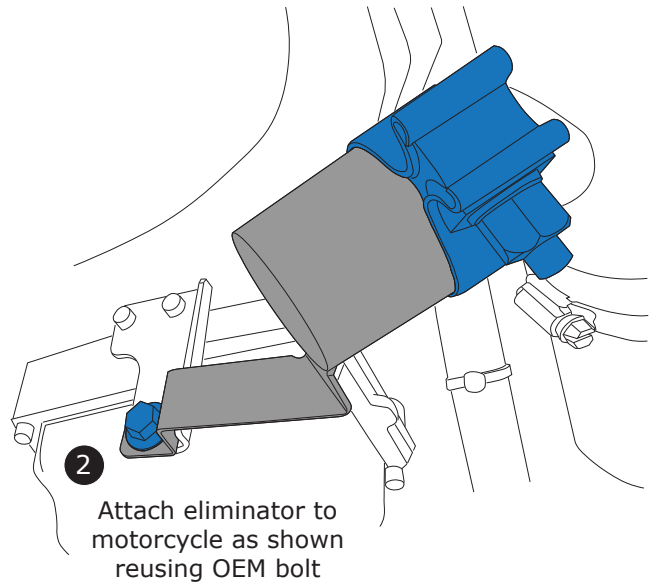
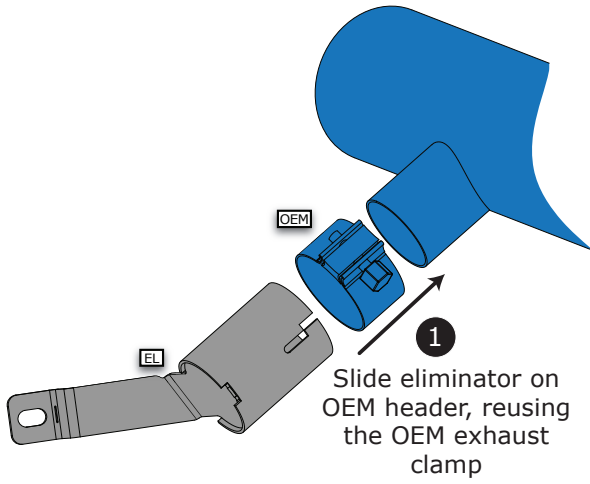
Reposition connectors





4

Install left exhaust eliminator



3

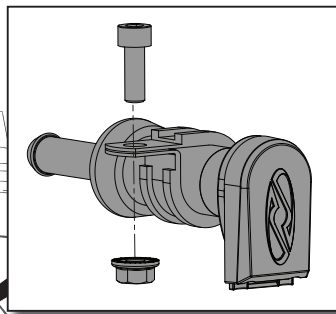
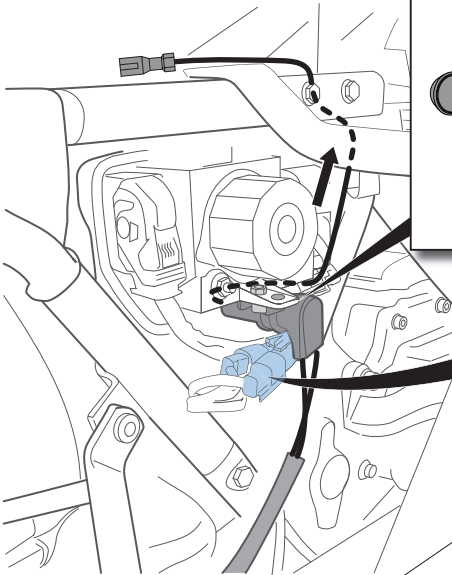
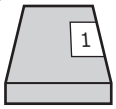
30Nm
22lbf ft

300 km
185 mi

1x

5

Servo Position Right



Option 1

Option 2

