

XK GLOW

MX-ROCK-PRO



**XKMAX 12PC ROCK LIGHT KIT
INSTALLATION INSTRUCTIONS**



xk@xkglow.com

(217) 679-1915

INPUT VOLTAGE	CONTROLLER MAX LOAD	MAX POWER PER POD
11-14V	5A PER CHANNEL	4.5W

WARRANTY AND DISCLAIMER

Within **THREE** years after the purchase date, the original buyer may return any **XKGLOW** lighting product that has failed due to a defect in materials or workmanship to receive a replacement product.

Installation of this product must be performed by a licensed professional. Should the failure of the product be the result of damage occurring as a result of improper installation, alteration of the product or an act or omission on the part of the consumer, this warranty is void. **XKGLOW** Lighting shall not be responsible for any consequential damages which arise from the use and/or installation of the product. If the kit is installed in any manner other than specified, **XKGLOW** Lighting reserves the right to deny any warranty claims at the discretion of the technical support department. Any product return must include the original packaging, invoice number and a statement of the alleged defect. Upon receipt of the returned product, the company will test the product for defect. If the results of the testing do not support the warranty claim, do not reveal any defect or indicate consumer negligence in the installation and handling of the product, then the product will be returned to you and you will be charged a reshipping fee. If the product is returned from an address within the continental United States, within the first 30 days after purchase, and is found to be defective, **XKGLOW** Lighting will exchange or refund the original purchase expense. This offer does not extend to the cost for shipping charges on any international packages.

ADDITIONAL DISCLAIMER TERMS

Please check your local and state laws for the proper use of this product.

- Improper installation of electrical products such as lighting may cause damage to any vehicle or device to which the improperly handled or installed lighting is attached.
- Improperly installed product may cause electrical injury to persons.
- It is recommended that the kit should be installed by a licensed professional.
- **XKGLOW** assumes no liability for the installation of the product.
- Warranty or liability will not exceed the product purchase price, which shall be buyer's sole and exclusive remedy.

RETURN/EXCHANGE PROCEDURE

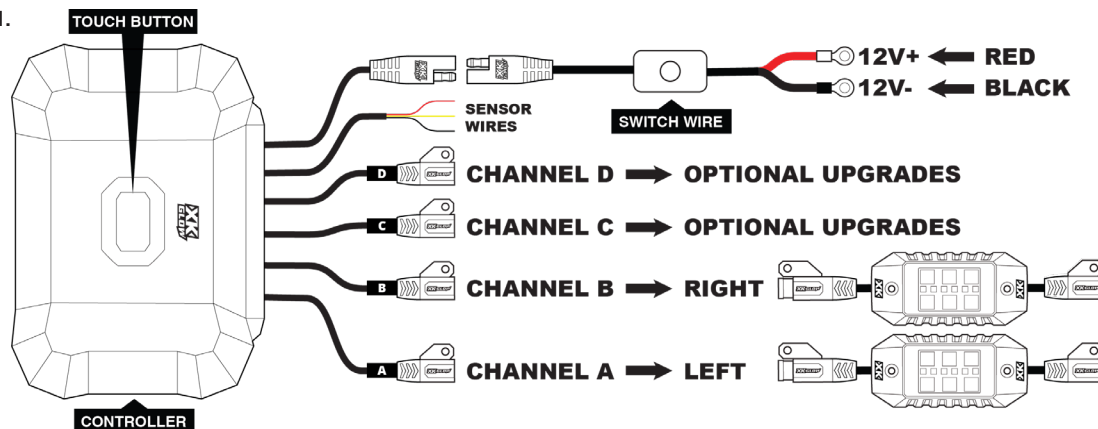
1. Email [xk@xkglow.com] to notify us of the product issue as well as the item number and name of customer on invoice.
2. We will send you the trouble-shooting guide to fix the issue, or to narrow down which of the component(s) need to be replaced. If the issue still exists, we will ask you to send back the defective items to be replaced.
3. Please send the returned item as instructed, along with claims and a telephone number where you can be reached.
4. After the returned item(s) have been accepted and inspected, we will issue a refund or replace the items ASAP. For refunds, item(s) must be sent to **XKGLOW** within 30 days from date of purchase. Original shipping charges are not refundable.

We always stand behind our products and are committed to our customers! For questions you may have, please contact xk@xkglow.com. We normally respond within 24 hours. (Monday-Friday).

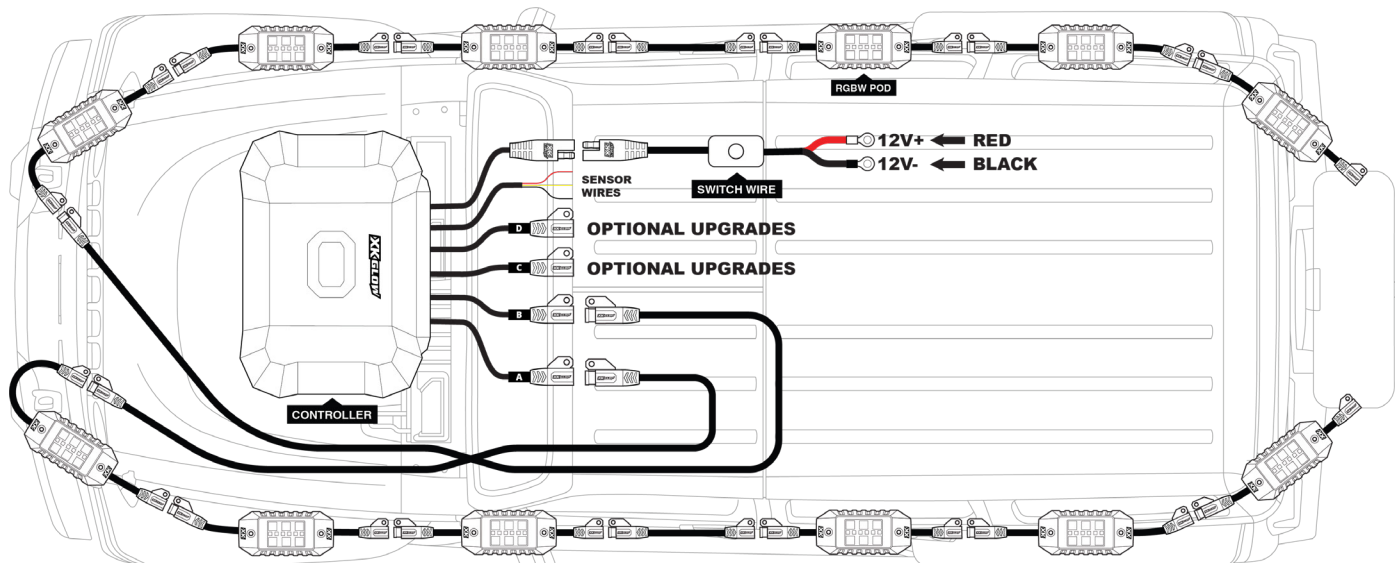


MOUNTING INSTRUCTIONS

1. Test all components before mounting: As shown below, plug ALL light units together and connect them to the controller and the switch wiring harness. Connect the **RED** battery terminal to the **POSITIVE** pole of 12V DC battery. Connect the **BLACK** battery terminal to the **NEGATIVE** pole. Turn on the switch and push the **touch button** to test all lights. If the lights show any defects, please contact us and we will be happy to replace them for you.

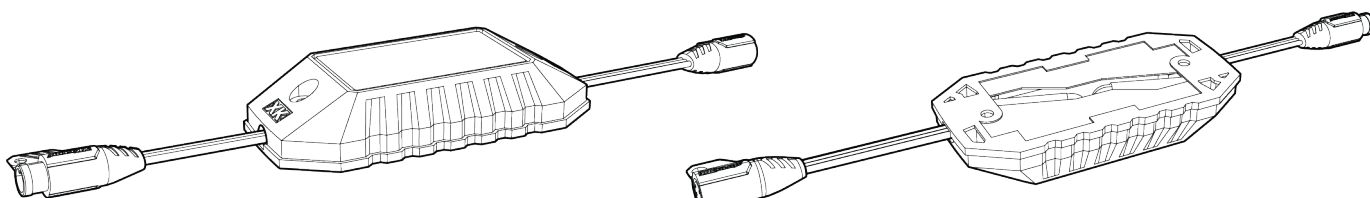


2. Plan Mounting Locations: Disconnect the tested lights from the vehicle's battery and remove any bodywork that will have the LED lights located behind them. See diagram below for recommended mounting locations. Clean the mounting surface. LOOSELY mount the LED lights using Scotch or painters tape (not included) to the desired locations. (DO NOT firmly attach the lights in this step.) Test chasing light patterns to ensure smooth transitions in the mounted locations. Adjust lights as necessary.



WIRING OPTIONS

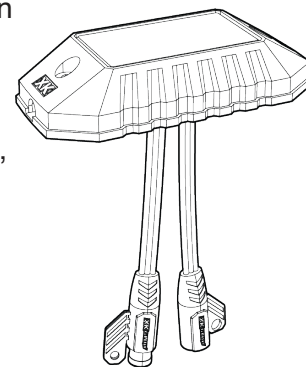
Option A : Surface Mount Wiring: The pod was designed to allow for easy surface mounting. Simply route the wire through the wiring channels in the rubber grommet and out the sides of the rock pod. Failure to follow the wiring channels may result in pinched/broken wiring when screwing the pod into place.



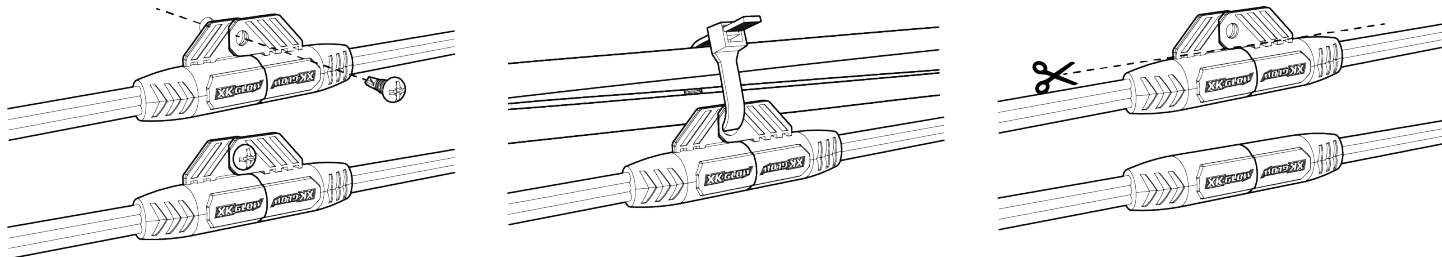
Option B : Through Hole Wiring: If you can access the rear of the panel you are mounting to, you can utilize the through-hole wiring method. Simply drill a 1/2" hole in your desired mounting location and feed the wiring through to the rear of the panel. This method can be seen to the right.

Mark and drill for Through-Hole Wiring: If utilizing the through-hole wiring method, mark and drill a 1/2" hole in the center of your desired mounting location.

Install Pod: Place the rubber grommet into place. Feed the wiring through the channels on the rear of the pod housing or through the drilled hole and fit the pod into place. Ensure that there are no pinched wires on the back side of the housing. Using the self-tapping screws, secure the pod into place. If preferred, you can use nuts and bolts instead of the self-tapping screws (not included).

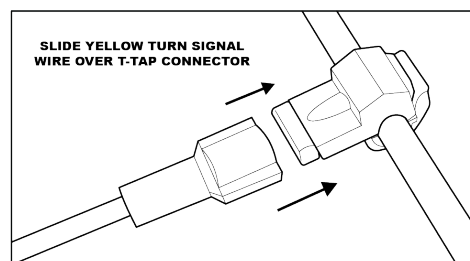
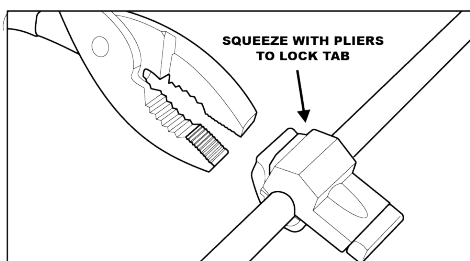
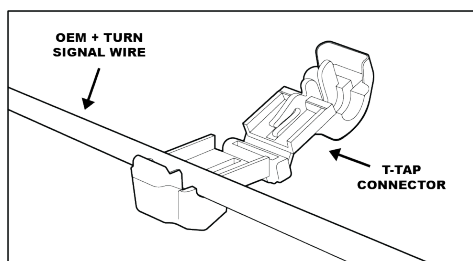
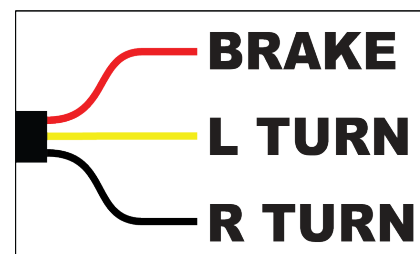


3. Mount the Lights: Rock pods can be wired through the mounting surface or through the included rubber spacers as shown above. Connect all extension wires and the switch wiring harness. **WARNING-** Do not force the plugs together! If they don't snap together, verify that all the pins line up. If a pin is out of place, it must be straightened up for the plug to snap together.



4. Secure all wires and connectors: Use provided screws or zip ties to neatly mount and hide any loose wires. The tabs can also be cut off to help the wire fit through tight spaces. Make sure they are not touching anything hot or located on moving parts. Install the ON/OFF switch in a dry and convenient location. Use provided end caps to cover all uncovered connectors.

5. Tap sensor wires: (Optional) If you tap the sensors as specified, the triggered action has already been setup in the controller. However, you can use it to other functions such as courtesy light and customize the triggered actions in Config --> Sensor Wires section. If you would like to use the lights as turn signals and brake, refer to the diagram to the right. Remember what color wire is attached to which function, as you will select the sensor wire color in the app to assign a light sequence. Use diagram below to tap wires using included T-tap connectors.



6. Connect to 12V DC power: Firmly connect the wire terminals to the positive and negative poles of the battery. Power on, download the XKmax App, and scan the QR code on Page 5 to load your kit presets. If you are adding more lights, they will need to be configured in the App. View App Instructions for more info.



DOWNLOAD XKMAX

Scan the QR code below to download the XKmax App



PRESET 1

A

PRESET 2

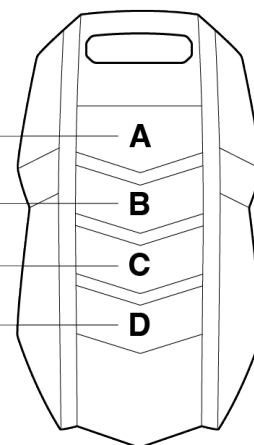
B

PRESET 3

C

OFF

D



REMOTE

Buttons customizable. See App Instructions.

LOAD YOUR KIT PRESET



MX-ROCK-PRO

NEED MORE LIGHTS?



UPGRADE ACCESSORIES

PRODUCT FEATURES



+ INSTALL VIDEOS

MONTHLY PHOTO CONTEST:
POST YOUR BEST PHOTO OR VIDEO FOR A CHANCE TO WIN \$150!

JOIN THE CIRCLE!
CREATE. CONNECT. COMMUNITY.

Here at XKGLOW, we value the **COMMUNITY** built around our products. So we developed our own social media platform into all XKGLOW apps! **CREATE** a Circle account to share photos of your ride, see exclusive sneak peaks into product development, and **CONNECT** with the entire XKGLOW family!