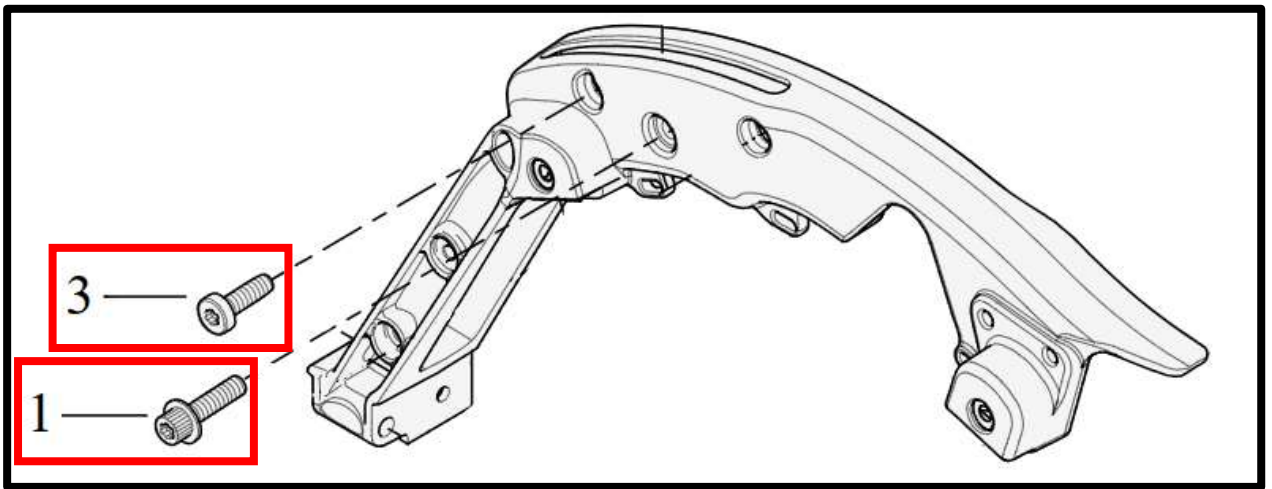


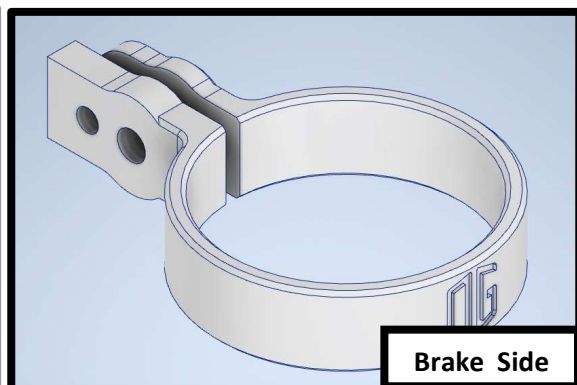
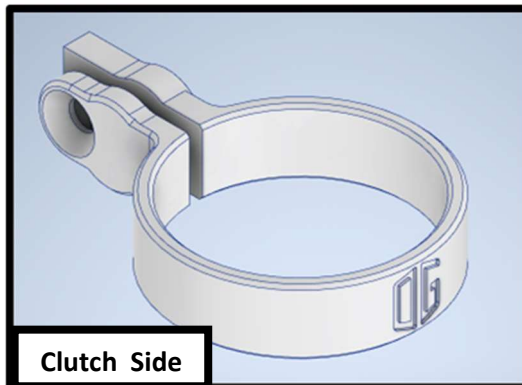
**OG 2009-Up Touring Remote Reservoir Mounts Installation Instruction-2.0**

Please refer to your bike service manual for additional guidance.

1. Before you start your new OG touring remote reservoir mounts installation, you will need to remove both saddlebags.
2. You will also need to install your suspension following the instructions that come with it. To avoid any interference with your saddlebag lid, do not use any of the spacers provided with your suspension unless you are running an aftermarket swingarm. If you are using Legend suspensions, use the thinnest spacers available.
3. Remove the following hardware from both sides of the motorcycle.



4. Apply blue Loctite to every bolt supplied with the kit
5. Identify the clutch side and brake side reservoir support.



**OG 2009-Up Touring Remote Reservoir Mounts Installation Instruction-2.0**

6. Reservoirs support

- a. **Ohlins HD-044 / HD-778 / HD-779 suspension:** Place the reservoir support on the reservoir. Make sure that the hose is properly centred with the support's fixing braces.

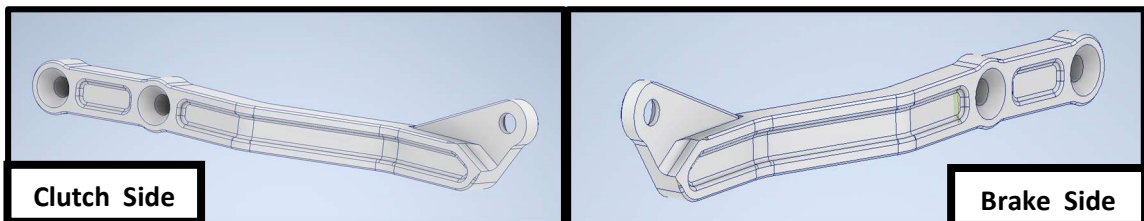


- b. **Legend suspension:** Place the reservoir support on the reservoir using the provided Legend reservoir shim. Refer to the pictures below for alignment reference. Align the banjo bolt with the OG logo on the reservoir mount.



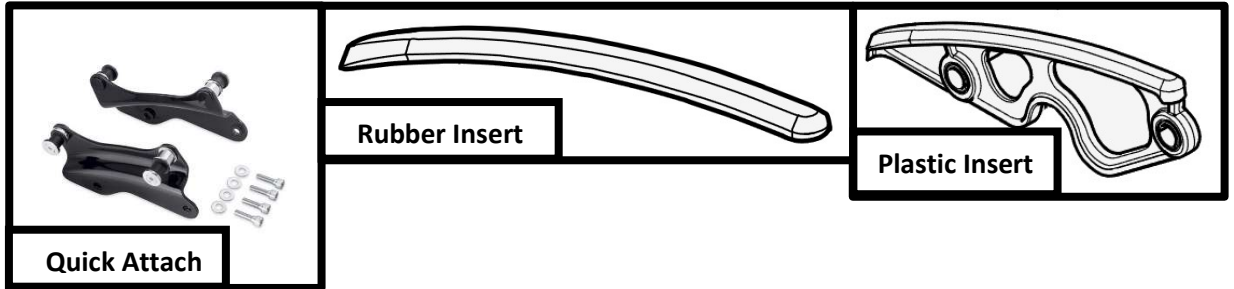
**\*\*\*If you are using a tour pack, make sure to place the reservoir in the mount as low as possible leaving maximum clearance for your tour pack\*\*\***

7. Once the support is in place, tighten the 1/4"-20 flat head screw to 76 in-lbs  
8. Identify the clutch side and brake side reservoir support arm.

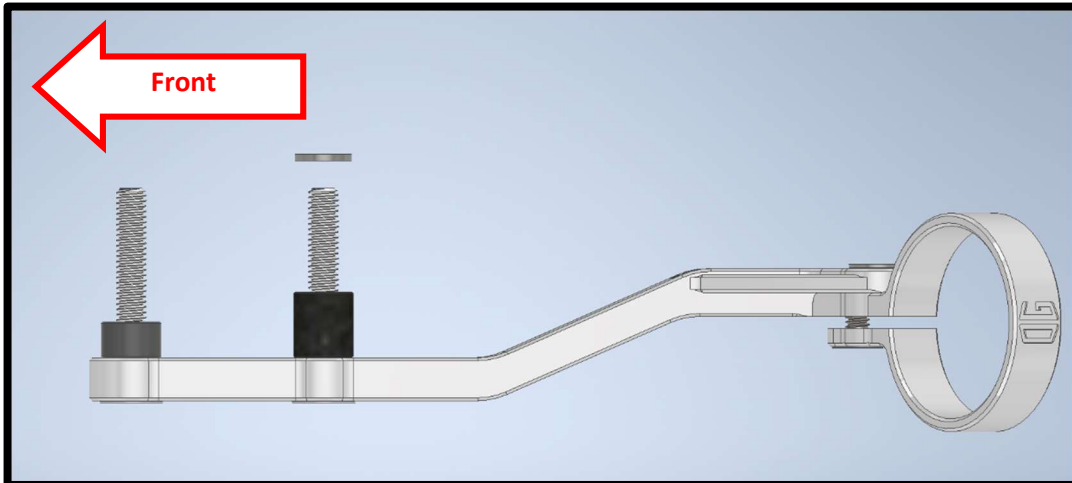


## OG 2009-Up Touring Remote Reservoir Mounts Installation Instruction-2.0

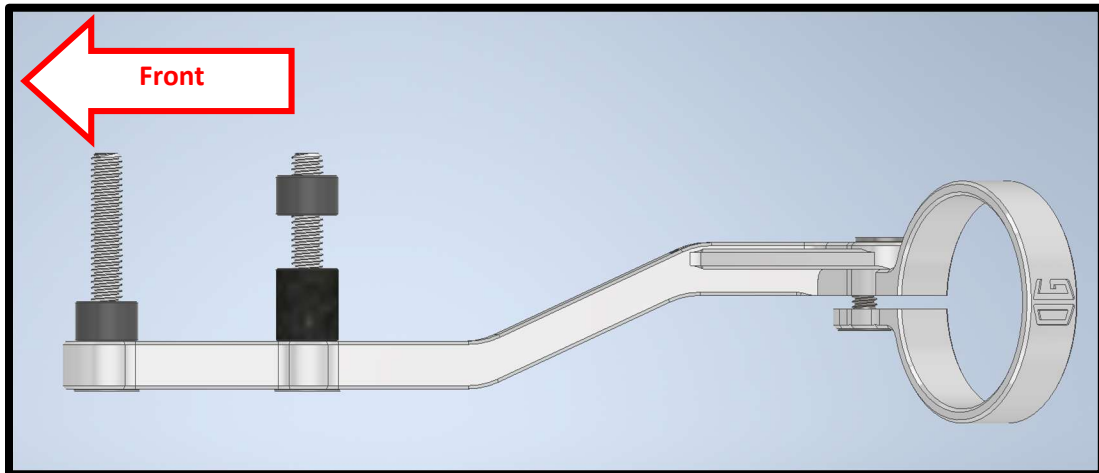
9. Identify if your bike is equipped with a Quick attach bracket, rubber saddlebag insert or rigid plastic insert. If your bike is equipped with a quick attach bracket, refer to section **9.A**. If your bike is equipped with a rubber insert, refer to section **9.B**. If your bike is equipped with a rigid plastic insert, refer to section **9.C**.



- a. **Quick Attach Bracket:** Install the support arm on each side of the motorcycle and make sure the spacers are positioned as shown in the picture below.

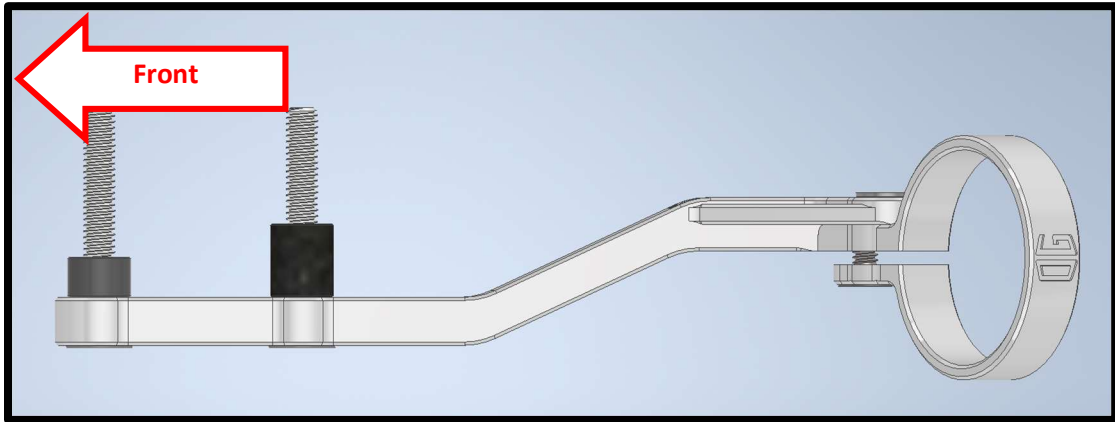


- b. **Rubber Insert:** Install the support arm on each side of the motorcycle and make sure the spacers are positioned as shown in the picture below.



**OG 2009-Up Touring Remote Reservoir Mounts Installation Instruction-2.0**

- c. **Plastic Insert:** Install the support arm on each side of the motorcycle and make sure the spacers are positioned as shown in the picture below.



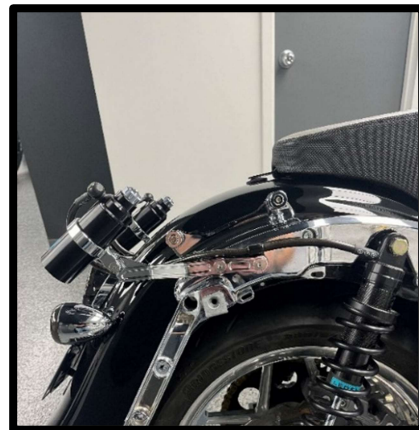
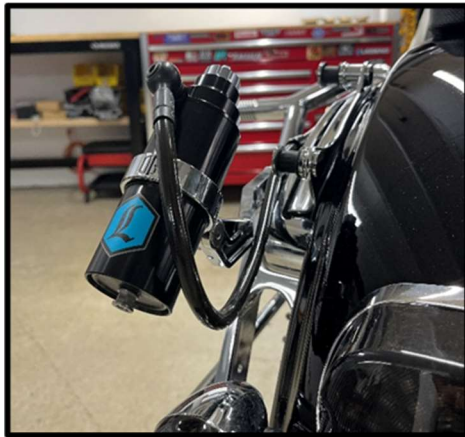
10. Hoses routing

- a. **Ohlins HD-044 / HD-778 / HD-779**

**suspension:** Install the reservoir support on the support arm on both sides using the 5/16"-18 x 1/2" flat head screw supplied with the kit. Make sure the hose is routed as shown on the picture. If the hose is rubbing against the saddlebag lid, make sure you got the proper spacing between the shock and shock mount (step 2)



- b. **Legend suspension:** Install the reservoir support on the support arm on both side using the 5/16"-18 x 1/2" flat head screw supplied with the kit. Make sure the hose is routed as shown on the picture. Secure the hose as shown in the picture below with the supplied zip tie.



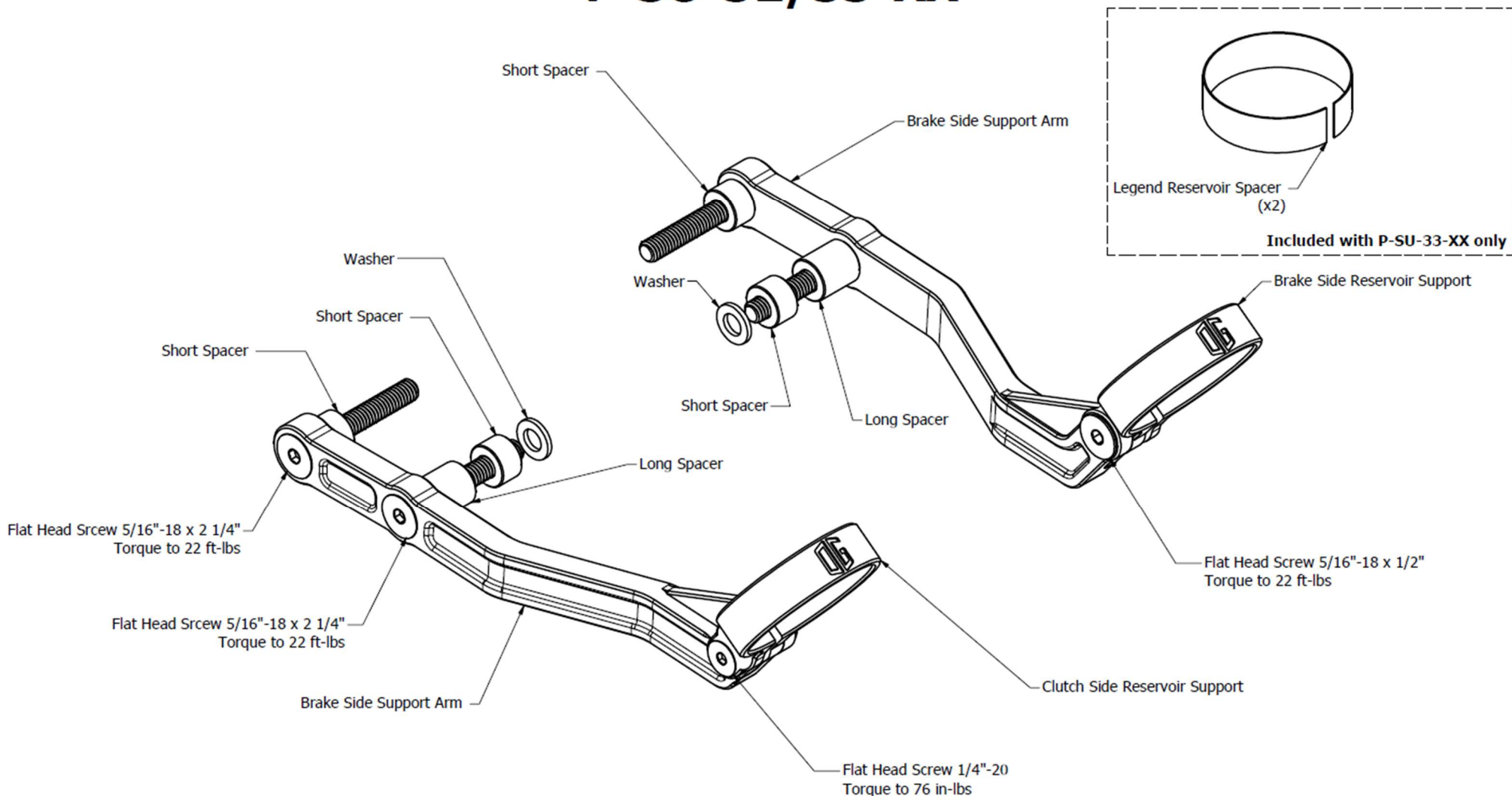
11. Tighten all the 5/16"-18 flat head screws to 22 **ft-lbs**

12. Enjoy!



OG 2009-Up Touring Remote Reservoir Mounts Installation Instruction-2.0

# OG 2009-Up Touring Remote Reservoir Mounts P-SU-32/33-XX



Need help? [sales@originalgaragemoto.com](mailto:sales@originalgaragemoto.com)