

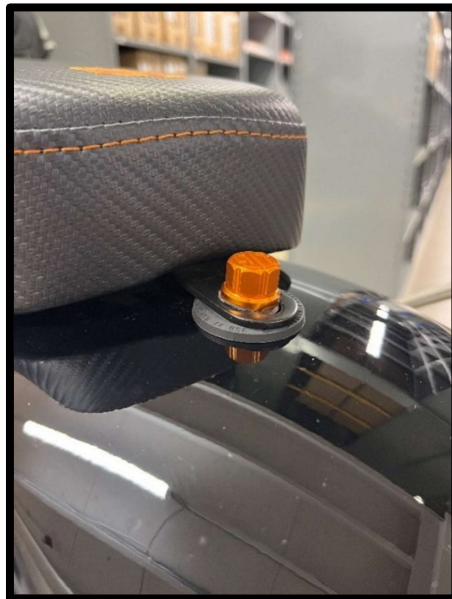


OG Billet Seat Screw Installation Instructions-1.0

1. Remove the OEM seat screw.
2. Place the supplied plate onto the tongue of the seat, ensuring that the rubber damper is facing downward. *(Replacement part number for the rubber damper: OSB-001-03. Contact us if a replacement is needed.)*



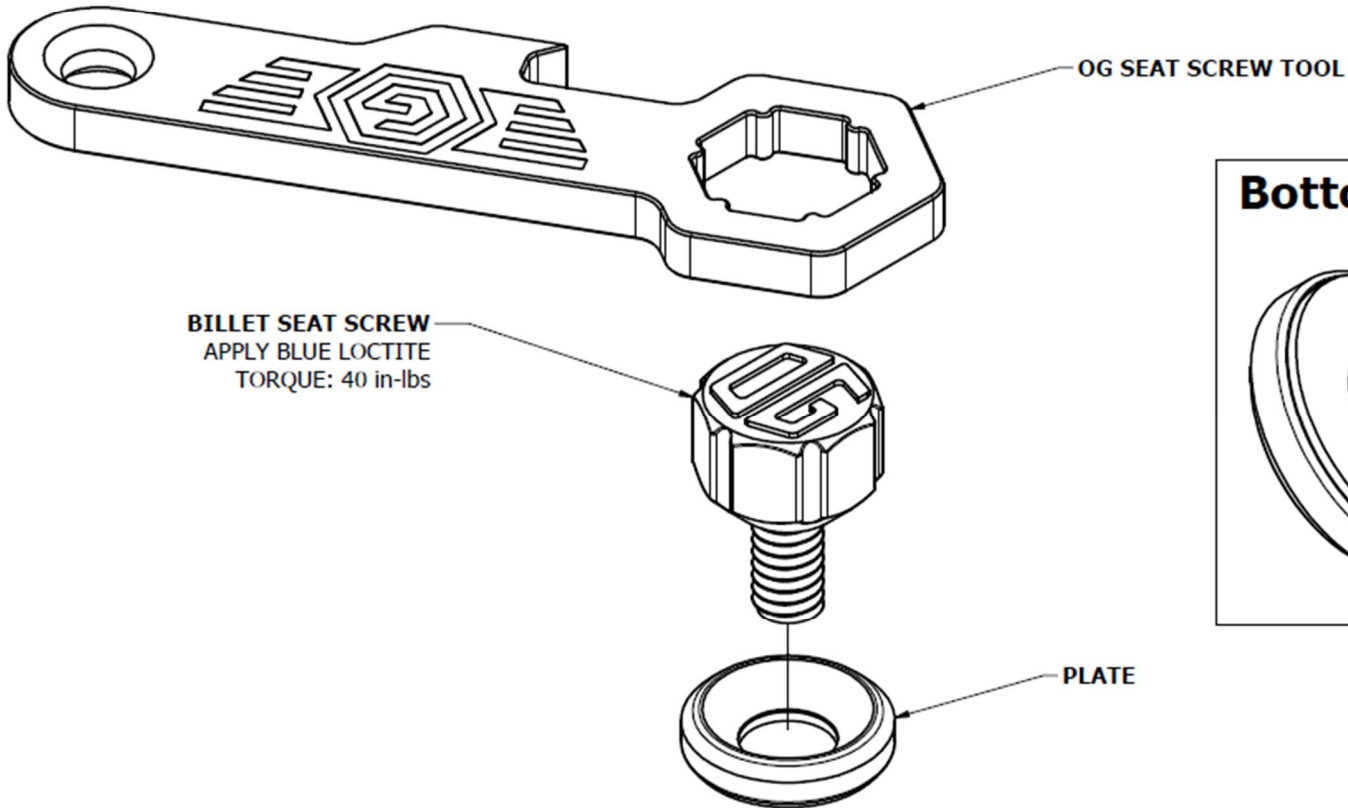
3. Apply a small amount of blue Loctite to the threads of the new OG seat screw.



4. Using a 5/8" hex socket, thread in the new seat screw and tighten it to **40 in-lbs.**



OG Billet Seat Screw P-SW-05-XX



BILLET SEAT SCREW
APPLY BLUE LOCTITE
TORQUE: 40 in-lbs

OG SEAT SCREW TOOL

PLATE

Bottom View of Plate



RUBBER DAMPER
REPLACEMENT PART #: OSB-001-03