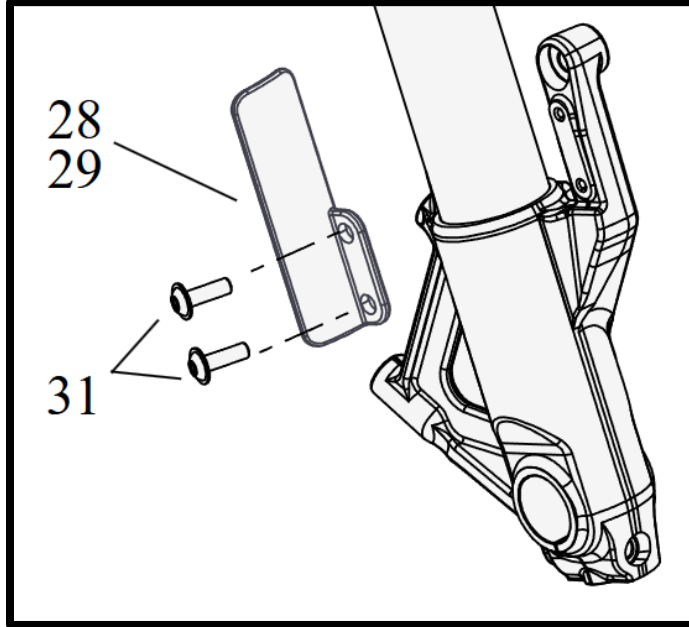




## OG 2023-Up Touring CVO Fork Guards Install Instruction-1.0

Please refer to your bike service manual for additional guidance.

1. Start by removing your OEM fork guards (28, 29, 31).



2. Install your new OG 2023-Up CVO Fork Guards onto your forks with the supplied hardware.
3. Use Blue Loctite and torque to **54 in-lbs.**